

N - NI



α ALFA'R CONNECTORS

LISTA DE CÓDIGOS

CODE LIST

CODE CÓDIGO	Pág.	CODE CÓDIGO	Pág.	CODE CÓDIGO	Pág.	CODE CÓDIGO	Pág.	CODE CÓDIGO	Pág.
A-N-00-50	40	A-N-11P26-50	19	A-N-22C54-50	23	A-N-25C61-75	26	A-N-26C67-75	32
-00-75	40	-11P50-50	19	-22C55-50	23	-25C61-75-C	30	-26C68-75	32
-02-50	41	-11P50A-50	19	-22C59-75	23	-25C61-75-F	28	-26C74-75	32
-02-75	41	-11P103-50	19	-22C60-75	23	-25C61B-75	26	-26C76-50	32
-03-50	40	-11P103D-50	19	-22C61-75	23	-25C61B-75-C	30	-26C76A-50	32
-03-75	40	-11P108-50	19	-22C61B-75	23	-25C61B-75-F	28	-26C77-75	32
-04-50	41	-11P109-50	19	-22C61D-50	23	-25C61D-50	26	-26C84-75	33
-04-75	41	-11P160Z-50	14	-22C67-75	23	-25C61D-50-C	30	-26C88-75	33
-10C16-75	15	-11P280Z-50	14	-22C68-75	23	-25C61D-50-F	28	-26C99-50	33
-10C18-50	15	-11S22X-50	9	-22C74-75	23	-25C67-75	26	-26C100-50	33
-10C25-75	15	-11S36X-50	9	-22C77-75	23	-25C67-75-C	30	-26C101-50	33
-10C25A-50	15	-11S63X-50	9	-22C84-75	24	-25C67-75-F	28	-26C102-75	33
-10C26-50	15	-12TF-50	35	-22C88-75	24	-25C68-75	26	-26C103-50	33
-10C26B-75	15	-12TF-75	35	-22C99-50	24	-25C68-75-C	30	-26C103A-75	33
-10C27-75	15	-12TR-50	38	-22C100-50	24	-25C68-75-F	28	-26C103D-50	33
-10C45-75	15	-20C16-75	20	-22C101-50	24	-25C74-75	26	-26C108-50	33
-10C47-75	15	-20C18-50	20	-22C102-75	24	-25C74-75-C	30	-26C108A-75	33
-10C50-50	15	-20C25-75	20	-22C103-50	24	-25C74-75-F	28	-26C109-50	33
-10C50A-50	15	-20C25A-50	20	-22C103A-75	24	-25C76-50	26	-26P25-75	34
-10C54-50	15	-20C26-50	20	-22C103D-50	24	-25C76-50-C	30	-26P25A-50	34
-10C55-50	15	-20C26B-75	20	-22C108-50	24	-25C76-50-F	28	-26P26-50	34
-10C59-75	15	-20C27-75	20	-22C108A-75	24	-25C76A-50	26	-26P26B-75	34
-10C60-75	15	-20C45-75	20	-22C109-50	24	-25C76A-50-C	30	-26P50-50	34
-10C61-75	15	-20C47-75	20	-22P25-75	25	-25C76A-50-F	28	-26P50A-50	34
-10C61B-75	15	-20C50-50	20	-22P25A-50	25	-25C77-75	26	-26P59-75	34
-10C61D-50	15	-20C50A-50	20	-22P26-50	25	-25C77-75-C	30	-26P60-75	34
-10C67-75	15	-20C54-50	20	-22P26B-75	25	-25C77-75-F	28	-26P61-75	34
-10C68-75	15	-20C55-50	20	-22P50-50	25	-25C84-75	27	-26P61B-75	34
-10C74-75	15	-20C59-75	20	-22P50A-50	25	-25C84-75-C	31	-26P61D-50	34
-10C76-50	15	-20C60-75	20	-22P59-75	25	-25C84-75-F	29	-26P101-50	34
-10C76A-50	15	-20C61-75	20	-22P60-75	25	-25C88-75	27	-26P102-75	34
-10C77-75	15	-20C61B-75	20	-22P61-75	25	-25C88-75-C	31	-26P103-50	34
-10C84-75	16	-20C61D-50	20	-22P61B-75	25	-25C88-75-F	29	-26P103A-75	34
-10C88-75	16	-20C67-75	20	-22P61D-50	25	-25C99-50	27	-26P103D-50	34
-10C99-50	16	-20C68-75	20	-22P101-50	25	-25C99-50-C	31	-26P108-50	34
-10C100-50	16	-20C74-75	20	-22P102-75	25	-25C99-50-F	29	-26P108A-75	34
-10C101-50	16	-20C76-50	20	-22P103-50	25	-25C100-50	27	-26P109-50	34
-10C102-75	16	-20C76A-50	20	-22P103A-75	25	-25C100-50-C	31	-26S22X-50	11
-10C103-50	16	-20C77-75	20	-22P103D-50	25	-25C100-50-F	29	-26S36X-50	11
-10C103-50-A	16	-20C84-75	21	-22P108-50	25	-25C101-50	27	-26S63X-50	11
-10C103A-75	16	-20C99-50	21	-22P108A-75	25	-25C101-50-C	31	-26TF-50	37
-10C103A-75-A	16	-20C100-50	21	-22P109-50	25	-25C101-50-F	29	-26TF-75	37
-10C103D-50	16	-20C101-50	21	-22S22X-50	10	-25C102-75	27	-31-50	42
-10C103D-50-A	16	-20C102-75	21	-22S36X-50	10	-25C102-75-C	31	-31-75	42
-10C108-50	16	-20C103-50	21	-22S63X-50	10	-25C102-75-F	29	-40-50	41
-10C108-50-A	16	-20C103-50-A	21	-22S63X-50-A	11	-25C103-50	27	-40-75	41
-10C108A-75	16	-20C103A-75	21	-22TF-50	35	-25C103-50-C	31	-44-50	41
-10C108A-75-A	16	-20C103A-75-A	21	-22TF-75	35	-25C103-50-F	29	-44-75	41
-10C109-50	16	-20C103D-50	21	-22TP-50	37	-25C103A-75	27	-51-00	42
-10P25-75	18	-20C103D-50-A	21	-22TR-50	38	-25C103A-75-C	31	-51-00-A	42
-10P25A-50	18	-20C108-50	21	-25C16-75	26	-25C103A-75-F	29	-53-50	42
-10P26-50	18	-20C108-50-A	21	-25C16-75-C	30	-25C103D-50	27	-53-50-A	42
-10P26B-75	18	-20C108A-75	21	-25C16-75-F	28	-25C103D-50-C	31	-53-75	42
-10P50-50	18	-20C108A-75-A	21	-25C18-50	26	-25C103D-50-F	29	-53-75-A	42
-10P50A-50	18	-20C109-50	21	-25C18-50-C	30	-25C108-50	27	-54-50	43
-10P59-75	18	-20P25-75	22	-25C18-50-F	28	-25C108-50-C	31	-54-50-A	43
-10P60-75	18	-20P25A-50	22	-25C25-75	26	-25C108-50-F	29	-54-50-B	43
-10P61-75	18	-20P26-50	22	-25C25-75-C	30	-25C108A-75	27	-54-50-C	43
-10P61B-75	18	-20P26B-75	22	-25C25-75-F	30	-25C108A-75C	31	-54-75	43
-10P61D-50	18	-20P50-50	22	-25C25A-50	26	-25C108A-75-F	29	-55-50	43
-10P100Z-50	12	-20P50A-50	22	-25C25A-50-C	30	-25C109-50	27	-55-50-A	43
-10P101-50	18	-20P59-75	22	-25C25A-50-F	28	-25C109-50-C	31	-55-75	43
-10P102-75	18	-20P60-75	22	-25C26-50	26	-25C109-50-F	29	A-NI-10C18-50	47
-10P103-50	18	-20P61-75	22	-25C26-50-C	30	-25S63X-50	11	-10C25A-50	47
-10P103A-75	18	-20P61B-75	22	-25C26-50-F	28	-25S63X-50-F	11	-10C26-50	47
-10P103D-50	18	-20P61D-50	22	-25C27-75	26	-25TF-50	36	-10C50-50	47
-10P108-50	18	-20P100Z-50	13	-25C27-75-C	30	-25TF-50-C	36	-10C50A-50	47
-10P108A-75	18	-20P101-50	22	-25C27-75-F	28	-25TF-50-F	36	-10C54-50	47
-10P109-50	18	-20P102-75	22	-25C45-75	26	-25TF-75	36	-10C55-50	47
-10P139Z-50	12	-20P103-50	22	-25C45-75-C	30	-25TF-75-C	36	-10C61D-50	47
-10P160Z-50	12	-20P103A-75	22	-25C45-75-F	28	-25TF-75-F	36	-10C99-50	47
-10P280Z-50	12	-20P103D-50	22	-25C47-75	26	-25TR-50	39	-10C100-50	47
-10S22X-50	9	-10P108-50	22	-25C47-75-C	30	-25TR-50-C	39	-10C101-50	47
-10S36X-50	9	-10P108A-75	22	-25C47-75-F	28	-25TR-50-F	39	-10C103-50	47
-10S63X-50	9	-20P109-50	22	-25C50-50	26	-26C16-75	32	-10C103D-50	47
-11C50-50	17	-20P139Z-50	13	-25C50-50-C	30	-26C18-50	32	-10C108-50	47
-11C50A-50	17	-20P160Z-50	13	-25C50-50-F	28	-26C25-75	32	-10C109-50	47
-11C54-50	17	-20P280Z-50	13	-25C50A-50	26	-26C25A-50	32	-15C18-50	48
-11C55-50	17	-20S22X-50	10	-25C50A-50-C	30	-26C26-50	32	-15C25A-50	48
-11C61D-50	17	-20S36X-50	10	-25C50A-50-F	28	-26C26B-75	32	-15C26-50	48
-11C76-50	17	-20S63X-50	10	-25C54-50	26	-26C27-75	32	-15C50-50	48
-11C76A-50	17	-22C16-75	23	-25C54-50-C	30	-26C45-75	32	-15C50A-50	48
-11C99-50	17	-22C18-50	23	-25C54-50-F	28	-26C47-75	32	-15C54-50	48
-11C100-50	17	-22C25-75	23	-25C55-50	26	-26C50-50	32	-15C55-50	48
-11C101-50	17	-22C25A-50	23	-25C55-50-C	30	-26C50A-50	32	-15C61D-50	48
-11C103-50	17	-22C26-50	23	-25C55-50-F	28	-26C54-50	32	-15C99-50	48
-11C103D-50	17	-22C26B-75	23	-25C59-75	26	-26C55-50	32	-15C100-50	48
-11C108-50	17	-22C27-75	23	-25C59-75-C	30	-26C59-75	32	-15C101-50	48
-11C109-50	17	-22C45-75	23	-25C59-75-F	28	-26C60-75	32	-15C103-50	48
-11P61D-50	19	-22C47-75	23	-25C60-75	26	-26C61-75	32	-15C103D-50	48
-11P101-50	19	-22C50-50	23	-25C60-75-C	30	-26C61B-75	32	-15C108-50	48
-11P25A-50	19	-22C50A-50	23	-25C60-75-F	28	-26C61D-50	32	-15C109-50	48



LISTA DE CÓDIGOS

CODE LIST

CODE CÓDIGO	Pág.	CODE CÓDIGO	Pág.	CODE CÓDIGO	Pág.	CODE CÓDIGO	Pág.	CODE CÓDIGO	Pág.
A-N-00-50	40	A-N-11P26-50	19	A-N-22C54-50	23	A-N-25C61-75	26	A-N-26C67-75	32
-00-75	40	-11P50-50	19	-22C55-50	23	-25C61-75-C	30	-26C68-75	32
-02-50	41	-11P50A-50	19	-22C59-75	23	-25C61-75-F	28	-26C74-75	32
-02-75	41	-11P103-50	19	-22C60-75	23	-25C61B-75	26	-26C76-50	32
-03-50	40	-11P103D-50	19	-22C61-75	23	-25C61B-75-C	30	-26C76A-50	32
-03-75	40	-11P108-50	19	-22C61B-75	23	-25C61B-75-F	28	-26C77-75	32
-04-50	41	-11P109-50	19	-22C61D-50	23	-25C61D-50	26	-26C84-75	33
-04-75	41	-11P160Z-50	14	-22C67-75	23	-25C61D-50-C	30	-26C88-75	33
-10C16-75	15	-11P280Z-50	14	-22C68-75	23	-25C61D-50-F	28	-26C99-50	33
-10C18-50	15	-11S22X-50	9	-22C74-75	23	-25C67-75	26	-26C100-50	33
-10C25-75	15	-11S36X-50	9	-22C77-75	23	-25C67-75-C	30	-26C101-50	33
-10C25A-50	15	-11S63X-50	9	-22C84-75	24	-25C67-75-F	28	-26C102-75	33
-10C26-50	15	-12TF-50	35	-22C88-75	24	-25C68-75	26	-26C103-50	33
-10C26B-75	15	-12TF-75	35	-22C99-50	24	-25C68-75-C	30	-26C103A-75	33
-10C27-75	15	-12TR-50	38	-22C100-50	24	-25C68-75-F	28	-26C103D-50	33
-10C45-75	15	-20C16-75	20	-22C101-50	24	-25C74-75	26	-26C108-50	33
-10C47-75	15	-20C18-50	20	-22C102-75	24	-25C74-75-C	30	-26C108A-75	33
-10C50-50	15	-20C25-75	20	-22C103-50	24	-25C74-75-F	28	-26C109-50	33
-10C50A-50	15	-20C25A-50	20	-22C103A-75	24	-25C76-50	26	-26P25-75	34
-10C54-50	15	-20C26-50	20	-22C103D-50	24	-25C76-50-C	30	-26P25A-50	34
-10C55-50	15	-20C26B-75	20	-22C108-50	24	-25C76-50-F	28	-26P26-50	34
-10C59-75	15	-20C27-75	20	-22C108A-75	24	-25C76A-50	26	-26P26B-75	34
-10C60-75	15	-20C45-75	20	-22C109-50	24	-25C76A-50-C	30	-26P50-50	34
-10C61-75	15	-20C47-75	20	-22P25-75	25	-25C76A-50-F	28	-26P50A-50	34
-10C61B-75	15	-20C50-50	20	-22P25A-50	25	-25C77-75	26	-26P59-75	34
-10C61D-50	15	-20C50A-50	20	-22P26-50	25	-25C77-75-C	30	-26P60-75	34
-10C67-75	15	-20C54-50	20	-22P26B-75	25	-25C77-75-F	28	-26P61-75	34
-10C68-75	15	-20C55-50	20	-22P50-50	25	-25C84-75	27	-26P61B-75	34
-10C74-75	15	-20C59-75	20	-22P50A-50	25	-25C84-75-C	31	-26P61D-50	34
-10C76-50	15	-20C60-75	20	-22P59-75	25	-25C84-75-F	29	-26P101-50	34
-10C76A-50	15	-20C61-75	20	-22P60-75	25	-25C88-75	27	-26P102-75	34
-10C77-75	15	-20C61B-75	20	-22P61-75	25	-25C88-75-C	31	-26P103-50	34
-10C84-75	16	-20C61D-50	20	-22P61B-75	25	-25C88-75-F	29	-26P103A-75	34
-10C88-75	16	-20C67-75	20	-22P61D-50	25	-25C99-50	27	-26P103D-50	34
-10C99-50	16	-20C68-75	20	-22P101-50	25	-25C99-50-C	31	-26P108-50	34
-10C100-50	16	-20C74-75	20	-22P102-75	25	-25C99-50-F	29	-26P108A-75	34
-10C101-50	16	-20C76-50	20	-22P103-50	25	-25C100-50	27	-26P109-50	34
-10C102-75	16	-20C76A-50	20	-22P103A-75	25	-25C100-50-C	31	-26S22X-50	11
-10C103-50	16	-20C77-75	20	-22P103D-50	25	-25C100-50-F	29	-26S36X-50	11
-10C103-50-A	16	-20C84-75	21	-22P108-50	25	-25C101-50	27	-26S63X-50	11
-10C103A-75	16	-20C99-50	21	-22P108A-75	25	-25C101-50-C	31	-26TF-50	37
-10C103A-75-A	16	-20C100-50	21	-22P109-50	25	-25C101-50-F	29	-26TF-75	37
-10C103D-50	16	-20C101-50	21	-22S22X-50	10	-25C102-75	27	-31-50	42
-10C103D-50-A	16	-20C102-75	21	-22S36X-50	10	-25C102-75-C	31	-31-75	42
-10C108-50	16	-20C103-50	21	-22S63X-50	10	-25C102-75-F	29	-40-50	41
-10C108-50-A	16	-20C103-50-A	21	-22S63X-50-A	11	-25C103-50	27	-40-75	41
-10C108A-75	16	-20C103A-75	21	-22TF-50	35	-25C103-50-C	31	-44-50	41
-10C108A-75-A	16	-20C103A-75-A	21	-22TF-75	35	-25C103-50-F	29	-44-75	41
-10C109-50	16	-20C103D-50	21	-22TP-50	37	-25C103A-75	27	-51-00	42
-10P25-75	18	-20C103D-50-A	21	-22TR-50	38	-25C103A-75-C	31	-51-00-A	42
-10P25A-50	18	-20C108-50	21	-25C16-75	26	-25C103A-75-F	29	-53-50	42
-10P26-50	18	-20C108-50-A	21	-25C16-75-C	30	-25C103D-50	27	-53-50-A	42
-10P26B-75	18	-20C108A-75	21	-25C16-75-F	28	-25C103D-50-C	31	-53-75	42
-10P50-50	18	-20C108A-75-A	21	-25C18-50	26	-25C103D-50-F	29	-53-75-A	42
-10P50A-50	18	-20C109-50	21	-25C18-50-C	30	-25C108-50	27	-54-50	43
-10P59-75	18	-20P25-75	22	-25C18-50-F	28	-25C108-50-C	31	-54-50-A	43
-10P60-75	18	-20P25A-50	22	-25C25-75	26	-25C108-50-F	29	-54-50-B	43
-10P61-75	18	-20P26-50	22	-25C25-75-C	30	-25C108A-75	27	-54-50-C	43
-10P61B-75	18	-20P26B-75	22	-25C25-75-F	30	-25C108A-75C	31	-54-75	43
-10P61D-50	18	-20P50-50	22	-25C25A-50	26	-25C108A-75-F	29	-55-50	43
-10P100Z-50	12	-20P50A-50	22	-25C25A-50-C	30	-25C109-50	27	-55-50-A	43
-10P101-50	18	-20P59-75	22	-25C25A-50-F	28	-25C109-50-C	31	-55-75	43
-10P102-75	18	-20P60-75	22	-25C26-50	26	-25C109-50-F	29	A-NI-10C18-50	47
-10P103-50	18	-20P61-75	22	-25C26-50-C	30	-25S63X-50	11	-10C25A-50	47
-10P103A-75	18	-20P61B-75	22	-25C26-50-F	28	-25S63X-50-F	11	-10C26-50	47
-10P103D-50	18	-20P61D-50	22	-25C27-75	26	-25TF-50	36	-10C50-50	47
-10P108-50	18	-20P100Z-50	13	-25C27-75-C	30	-25TF-50-C	36	-10C50A-50	47
-10P108A-75	18	-20P101-50	22	-25C27-75-F	28	-25TF-50-F	36	-10C54-50	47
-10P109-50	18	-20P102-75	22	-25C45-75	26	-25TF-75	36	-10C55-50	47
-10P139Z-50	12	-20P103-50	22	-25C45-75-C	30	-25TF-75-C	36	-10C61D-50	47
-10P160Z-50	12	-20P103A-75	22	-25C45-75-F	28	-25TF-75-F	36	-10C99-50	47
-10P280Z-50	12	-20P103D-50	22	-25C47-75	26	-25TR-50	39	-10C100-50	47
-10S22X-50	9	-10P108-50	22	-25C47-75-C	30	-25TR-50-C	39	-10C101-50	47
-10S36X-50	9	-10P108A-75	22	-25C47-75-F	28	-25TR-50-F	39	-10C103-50	47
-10S63X-50	9	-20P109-50	22	-25C50-50	26	-26C16-75	32	-10C103D-50	47
-11C50-50	17	-20P139Z-50	13	-25C50-50-C	30	-26C18-50	32	-10C108-50	47
-11C50A-50	17	-20P160Z-50	13	-25C50-50-F	28	-26C25-75	32	-10C109-50	47
-11C54-50	17	-20P280Z-50	13	-25C50A-50	26	-26C25A-50	32	-15C18-50	48
-11C55-50	17	-20S22X-50	10	-25C50A-50-C	30	-26C26-50	32	-15C25A-50	48
-11C61D-50	17	-20S36X-50	10	-25C50A-50-F	28	-26C26B-75	32	-15C26-50	48
-11C76-50	17	-20S63X-50	10	-25C54-50	26	-26C27-75	32	-15C50-50	48
-11C76A-50	17	-22C16-75	23	-25C54-50-C	30	-26C45-75	32	-15C50A-50	48
-11C99-50	17	-22C18-50	23	-25C54-50-F	28	-26C47-75	32	-15C54-50	48
-11C100-50	17	-22C25-75	23	-25C55-50	26	-26C50-50	32	-15C55-50	48
-11C101-50	17	-22C25A-50	23	-25C55-50-C	30	-26C50A-50	32	-15C61D-50	48
-11C103-50	17	-22C26-50	23	-25C55-50-F	28	-26C54-50	32	-15C99-50	48
-11C103D-50	17	-22C26B-75	23	-25C59-75	26	-26C55-50	32	-15C100-50	48
-11C108-50	17	-22C27-75	23	-25C59-75-C	30	-26C59-75	32	-15C101-50	48
-11C109-50	17	-22C45-75	23	-25C59-75-F	28	-26C60-75	32	-15C103-50	48
-11P61D-50	19	-22C47-75	23	-25C60-75	26	-26C61-75	32	-15C103D-50	48
-11P101-50	19	-22C50-50	23	-25C60-75-C	30	-26C61B-75	32	-15C108-50	48
-11P25A-50	19	-22C50A-50	23	-25C60-75-F	28	-26C61D-50	32	-15C109-50	48



LISTA CÓDIGOS

CODE LIST

<i>CODE</i>	
CÓDIGO	Pág.
A-NI-20C18-50	45
-20C25A-50	45
-20C26-50	45
-20C50-50	45
-20C50A-50	45
-20C54-50	45
-20C55-50	45
-20C61D-50	45
-20C99-50	46
-20C100-50	46
-20C101-50	46
-20C103-50	46
-20C103D-50	46
-20C108-50	46
-20C108-50-A	46
-20C109-50	46

Interconexión	<i>Interface</i>	7
Descripción	<i>Description</i>	7,8
Características	<i>Characteristics</i>	8
- Eléctricas	<i>Electrical</i>	8
- Mecánicas	<i>Mechanical</i>	8
- Ambientales	<i>Environmental</i>	8
Conectores para cable semi-rígido	<i>Connectors for semi-rigid cable</i>	
- macho	<i>plug</i>	
- recto soldar	<i>straight solder</i>	9
- 90° soldar	<i>90° solder</i>	9
- hembra	<i>jack</i>	
- recta soldar	<i>straight solder</i>	10
- hembra panel	<i>jack panel</i>	
- recta soldar (pletina cuadrada)	<i>straight solder (square flange)</i>	10
- recta soldar (montaje trasero) estanco	<i>straight solder (rear mounting) waterproof</i>	11
- recta soldar (montaje frontal)	<i>straight solder (front mounting)</i>	11
Conectores para cable corrugado	<i>Connectors for corrugated cable</i>	
- macho recto	<i>straight plug</i>	12
- hembra recta	<i>straight jack</i>	13
- macho 90°	<i>90° plug</i>	14
Conectores para cable flexible	<i>Connectors for flexible cable</i>	
- macho crimp	<i>crimp type plug</i>	
- recto	<i>straight</i>	15,16
- 90°	<i>90°</i>	17
- hembra crimp	<i>crimp type jack</i>	
- recta	<i>straight</i>	20,21
- panel	<i>panel</i>	
- pletina cuadrada	<i>square flange</i>	23,24
- montaje frontal	<i>front mounting</i>	26,29
- montaje frontal (estanco)	<i>front mounting (waterproof)</i>	30,31
- montaje trasero (estanco)	<i>rear mounting (waterproof)</i>	32,33
- macho prensaestopas	<i>clamp type plug</i>	
- recto	<i>straight</i>	18
- 90°	<i>90°</i>	19
- hembra prensaestopas	<i>clamp type jack</i>	
- recta	<i>straight</i>	22
- panel	<i>panel</i>	
- pletina cuadrada	<i>square flange</i>	25
- montaje trasero (estanco)	<i>rear mounting (waterproof)</i>	34
Conectores con contacto central soldable	<i>Connectors with solder inner contact</i>	
- macho	<i>plug</i>	
- panel	<i>receptacle</i>	
- pletina cuadrada	<i>square flange</i>	35
- hembra	<i>jack</i>	
- panel	<i>receptacle</i>	
- pletina cuadrada	<i>square flange</i>	35
- montaje frontal	<i>front mounting</i>	36
- montaje frontal (estanco)	<i>front mounting (waterproof)</i>	36
- montaje trasero (estanco)	<i>rear mounting (waterproof)</i>	37
Hembra panel (contacto central plano)	<i>Jack receptacle (tab contact Stripline)</i>	37
- pletina cuadrada	<i>square flange</i>	
Conector panel (contacto central M-4)	<i>Receptacle connector (inner contact M-4)</i>	
- macho	<i>plug</i>	
- panel	<i>receptacle</i>	
- pletina cuadrada	<i>square flange</i>	38
- hembra	<i>jack</i>	
- panel	<i>receptacle</i>	
- pletina cuadrada	<i>square flange</i>	38
- montaje frontal	<i>front mounting</i>	39
- montaje frontal (estanco)	<i>front mounting (waterproof)</i>	39

ÍNDICE *INDEX*

Adaptadores *Adapters*

- prolongación <i>prolongation</i>	
- hembra-hembra <i>jack-jack</i>	40
- macho-macho <i>plug-plug</i>	40
- pasamuros hembra-hembra <i>jack-jack panel adapter</i>	41
- adaptador en T <i>T adapter</i>	
- hembra-hembra-hembra <i>jack-jack-jack</i>	41
- hembra-macho-hembra <i>jack-plug-jack</i>	41
- adaptador a 90° <i>90° adapter</i>	42

Protectores *Protectives*

- tapón para hembra <i>cap for jack</i>	42
---	----

Terminaciones (cargas) *Terminations (loads)*

- macho <i>plug</i>	
-rango de frecuencia y potencia 50Ω <i>frequency and power range 50Ω</i>	
- 1.000 MHz 0.5 W	43
- 2.5 GHz 1 W, 5 W, 10 W	43
- 4 GHz 1 W, 5 W	43
- hembra <i>jack</i>	
-rango de frecuencia y potencia 50Ω <i>frequency and power range 50Ω</i>	
- 1.000 MHz 0.5 W	43
- 4 GHz 1 W	43
- macho y hembra <i>plug and jack</i>	
-rango de frecuencia y potencia 75Ω <i>frequency and power range 75Ω</i>	
- 1.000 MHz 0.5 W	43

N INVERTIDO *N REVERSE*

Interconexión contacto central invertido <i>Reverse polarity interface</i>	44
--	----

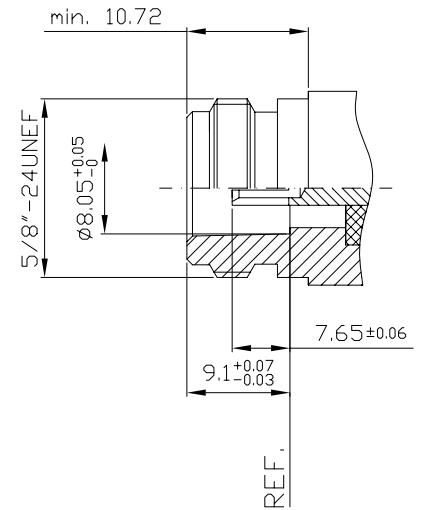
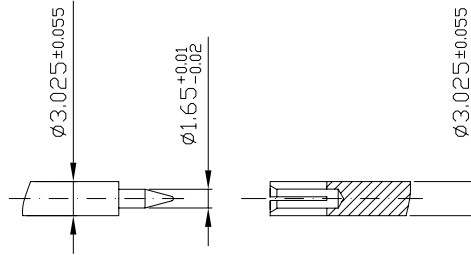
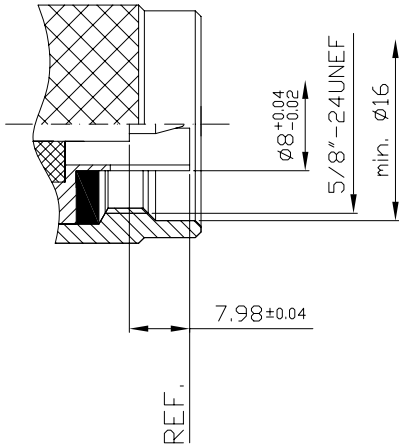
Conectores para cable flexible *Connectors for flexible cable*

- macho crimp <i>crimp type plug</i>	
- recto <i>straight</i>	45,46
- hembra crimp <i>crimp type jack</i>	
- recta <i>straight</i>	47
- panel <i>receptacle</i>	
- montaje frontal <i>mounting</i>	48

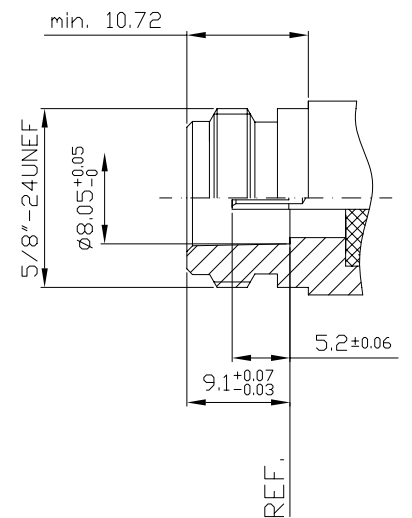
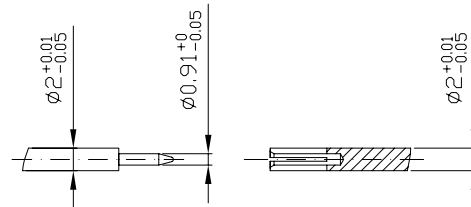
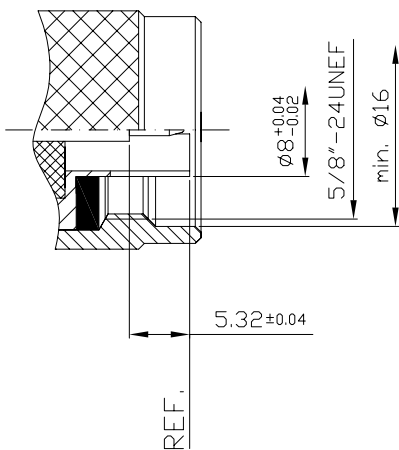
DIMENSIONES INTERCONEXIÓN IEC 169-16

INTERFACE DIMENSIONS IEC 169-16

50 Ω



75 Ω



Los conectores de la serie N (Navy connector) son muy utilizados por su versatilidad, robustez y óptimos resultados en aplicaciones exigentes. Sus aplicaciones son múltiples en sistemas de telecomunicaciones, instrumentación..., con frecuencias efectivas de uso de 11 GHz (para la versión de 50 Ω) y 1.5 GHz (para la versión de 75 Ω). Se obtienen VSWR muy bajos, y una potencia de uso relativamente alta: 2 KW a 100 MHz, 800 W a 1 GHz y 200 W a 10 GHz.

Existen conectores para cables standard o especiales (flexibles, semirígidos, corrugados...). Distintas versiones de forma: recto, acodado, panel estanco,... Y en cuanto al montaje del cable, disponemos de versiones soldadas, prensa estopa, crimp, pinza...

N series (Navy connector) are connectors widely used, because of their versatility, strenght and excellent results. For this reason, N series connectors are particularly used in communication systems where high performance is required. Their applications are multiple: telecommunication systems, measurement instruments... Useful frequencies are over 11 GHz (for 50 Ω version) and over 1.5 GHz (for 75 Ω version). It obtains a very low VSWR and a high useful power: 2 KW to 100 MHz, 800 W to 1 GHz and 200 W to 10 GHz. There are connectors for standard and special cables (flexible, semirigid, corrugated,...) Different shaped versions: straight, 90° angle, waterproof panel,... About cable assembly, different types are available: soldered, clamp, crimp, pincer type,...

Determinadas versiones, sobretodo para aplicaciones de telefonía móvil, están especialmente estudiadas para obtener productos de intermodulación (PIM) muy bajos, mayores a 155 dBc (solicite conectores de baja intermodulación -BI-)

normativa: IEC 169-16.

Some versions, mainly for mobile telephone applications, are specially built to obtain very low intermodulation products (IMP), over 155 dBc (request low intermodulation connectors -BI-)

standard: IEC 169-16.

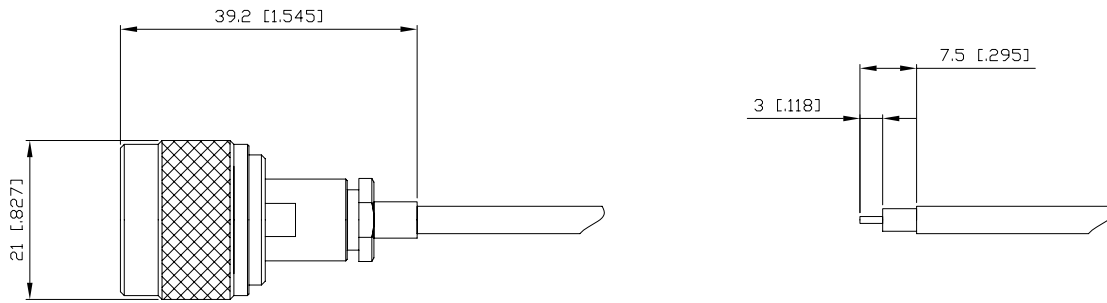
características eléctricas / <i>electrical characteristics</i>	
impedancia característica / <i>characteristic impedance</i>	50 Ω or 75 Ω
margen de frecuencia utilizable (recomendado) / <i>useful frequency range (recommended)</i>	0...11 GHz (50 Ω) 0...1.5 GHz (75 Ω)
margen de frecuencia máxima / <i>maximum frequency range</i>	0...18 GHz (50 Ω) 0...6 GHz (75 Ω)
VSWR (depende de la frecuencia, del cable utilizado para el test y del tipo de conector / <i>it depends on frequency, cable used for testing and kind of connector</i>)	para un conector recto / <i>for a straight connector</i> : < 1.05 (1.5 GHz) - < 1.10 (6 GHz) para un conector a 90° / <i>for a 90° connector</i> : < 1.08 (1.5 GHz) - < 1.21 (6 GHz)
pérdida de inserción / <i>insertion loss</i>	<0.15 dB (10 GHz)
RF-leakage	>90 dB
PIM / <i>IMP</i>	> 155 dBc
resistencia aislante / <i>insulator resistance</i>	> 5 GΩ
resistencia contacto interior / <i>inner contact resistance</i>	< 1 mΩ
resistencia contacto exterior / <i>outer contact resistance</i>	< 0.3 mΩ
potencia máxima / <i>maximum power</i>	2 KW (0.1GHz) - 800 W (1 GHz) - 200 W (10 GHz)
voltaje de trabajo / <i>working voltage</i>	1400 Vrms
voltaje de pico / <i>peak voltage</i>	2500 Vrms

características mecánicas / <i>mechanical characteristics</i>	
durabilidad / <i>durability</i>	> 500 ciclos conexión / > 500 <i>matings</i>
par aplicable al racord / <i>coupling nut torque</i>	70...100 Nm
material aislante / <i>insulator material</i>	PTFE
material contactos interiores / <i>inner contacts material</i> .	macho / <i>male</i> : CuZn39Pb3 - hembra / <i>female</i> : CuBe2
material cuerpos exteriores / <i>outer bodies material</i>	CuZn39Pb3
juntas estanqueidad / <i>gaskets</i>	silicona / <i>silicone</i>
acabados / <i>finish plating</i>	cuerpos exter. no BI / <i>no BI outer bodies</i> : NI 5μ. contactos interiores no BI / <i>no BI inner contacts</i> : AU 1μ. piezas con contacto eléctrico serie BI / <i>BI serie parts with electrical contact</i> : Ag 5μ. otras piezas BI / <i>others BI parts</i> : Ni 5μ.

características ambientales / <i>environmental characteristics</i>	
margen de temperatura / <i>temperature range</i>	-65°C...+165°C
categoría climática IEC / <i>IEC climatic category</i>	55/155/21
choque térmico / <i>thermal shock</i>	MIL-STD-202/107-B
resistencia a la humedad / <i>moisture resistance</i>	MIL-STD-202/106-B
resistencia a la corrosión / <i>corrosion resistance</i>	MIL-STD-202/101-B
resistencia a la vibración / <i>vibration resistance</i>	MIL-STD-202/204-B

Conectores para cable semi-rígido
macho recto soldar

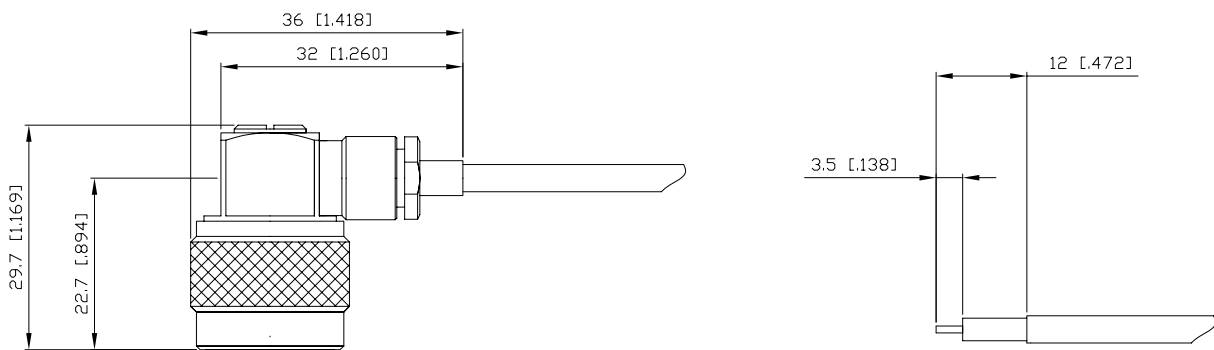
Connectors for semi-rigid cable
straight solder type plug



<i>CABLE</i> CABLE	<i>INSTRUC.</i> INSTRUC.	Ω	<i>ALFA'R CODE</i> CÓDIGO ALFA'R
UT-86 (RG-405)	INS 16	50	A-N-10S22X-50
UT-141 (RG-402)			A-N-10S36X-50
UT-250 (RG-401)			A-N-10S63X-50

macho 90° soldar

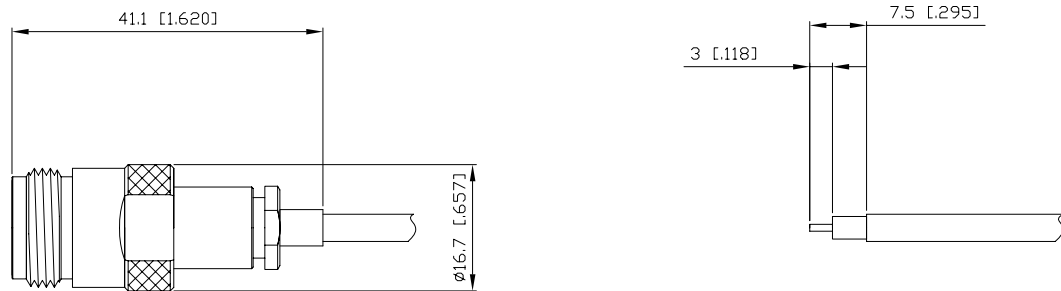
90° solder type plug



<i>CABLE</i> CABLE	<i>INSTRUC.</i> INSTRUC.	Ω	<i>ALFA'R CODE</i> CÓDIGO ALFA'R
UT-86 (RG-405)	INS 17	50	A-N-11S22X-50
UT-141 (RG-402)			A-N-11S36X-50
UT-250 (RG-401)			A-N-11S63X-50

hembra recta soldar

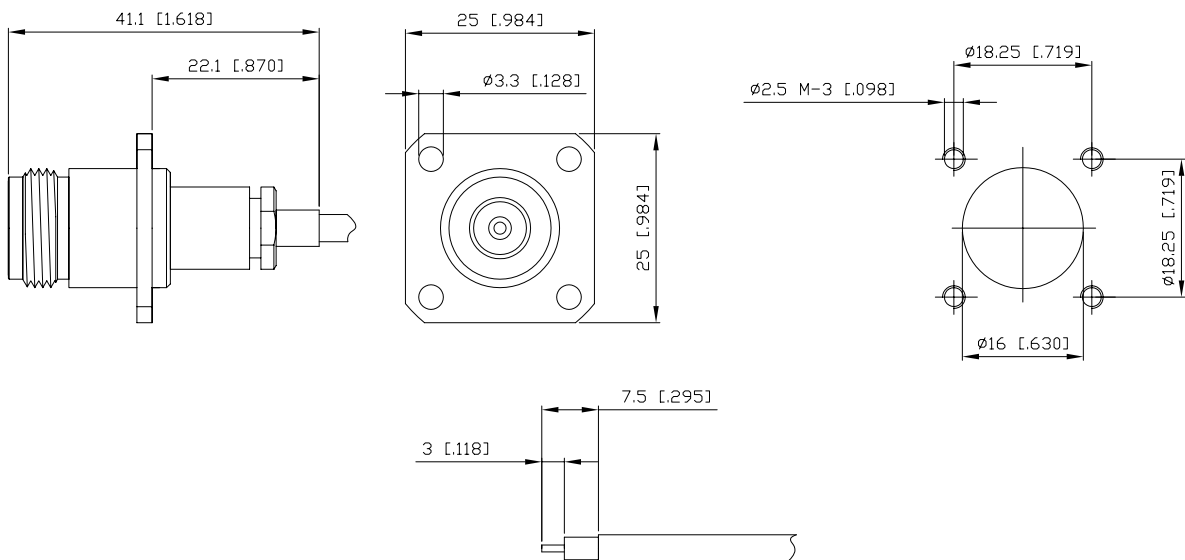
straight solder type jack



CABLE CABLE	INSTRUC. INSTRUC.	Ω	ALFA'R CODE CÓDIGO ALFA'R
UT-86 (RG-405)	INS 16	50	A-N-20S22X-50
UT-141 (RG-402)			A-N-20S36X-50
UT-250 (RG-401)			A-N-20S63X-50

hembra recta panel soldar
(pletina cuadrada)

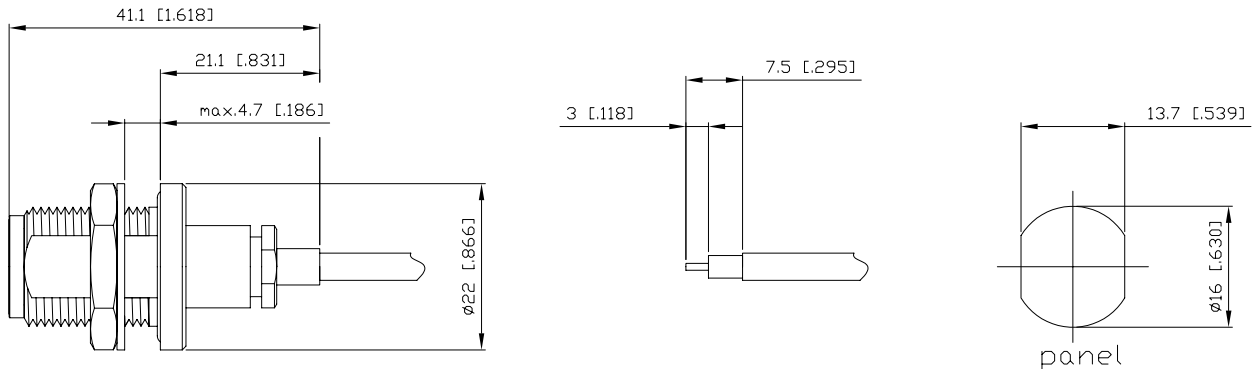
*straight solder type jack panel
(square flange)*



CABLE CABLE	INSTRUC. INSTRUC.	Ω	ALFA'R CODE CÓDIGO ALFA'R
UT-86 (RG-405)	INS 16	50	A-N-22S22X-50
UT-141 (RG-402)			A-N-22S36X-50
UT-250 (RG-401)			A-N-22S63X-50

hembra recta panel soldar
(montaje trasero)
estanco

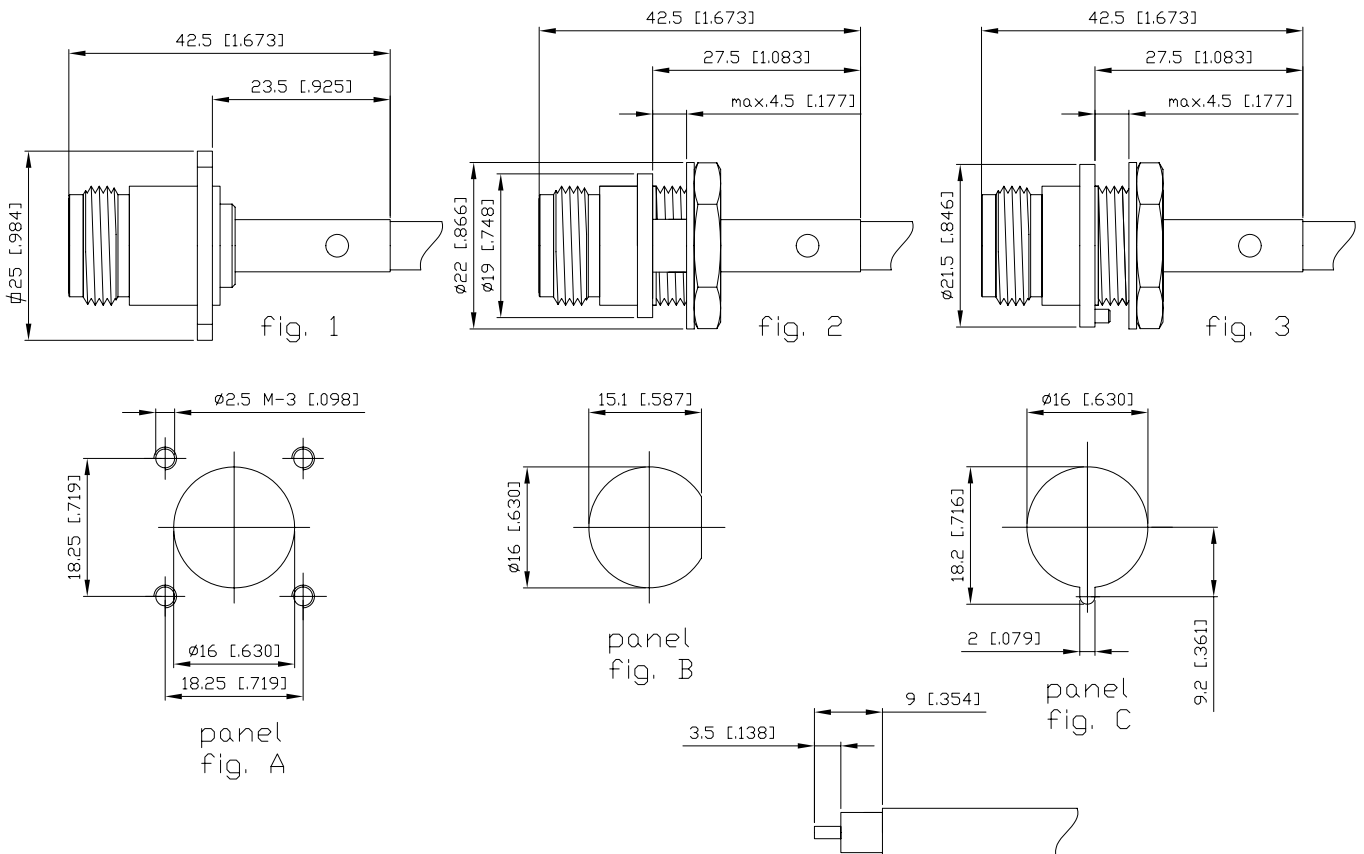
straight solder type jack panel
(rear mounting bulkhead)
waterproof



CABLE CABLE	INSTRUC. INSTRUC.	Ω	ALFA'R CODE CÓDIGO ALFA'R
UT-86 (RG-405)	INS 16	50	A-N-26S22X-50
UT-141 (RG-402)			A-N-26S36X-50
UT-250 (RG-401)			A-N-26S63X-50

hembra recta panel soldar
(montaje frontal)

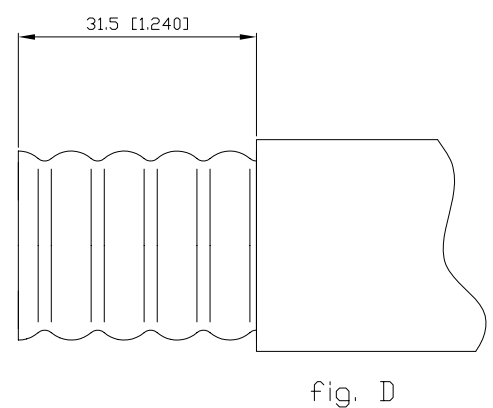
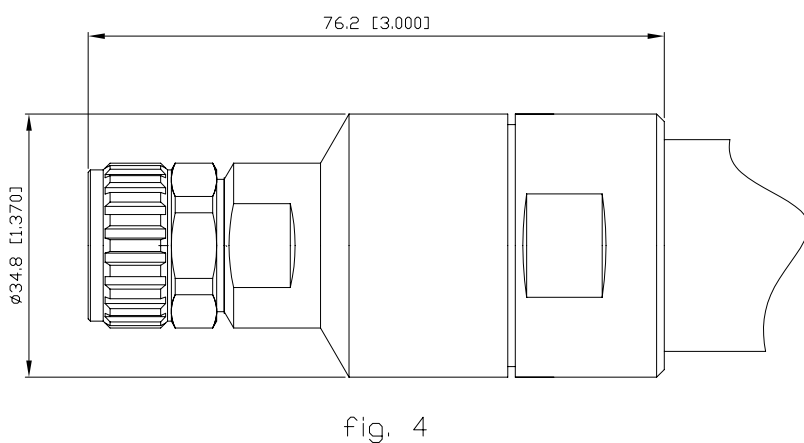
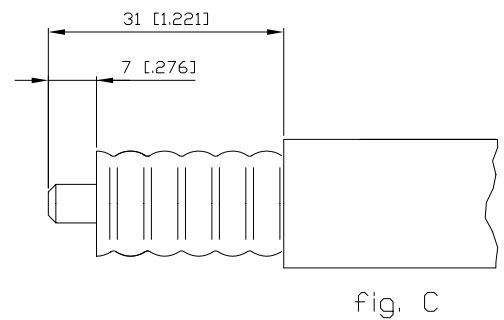
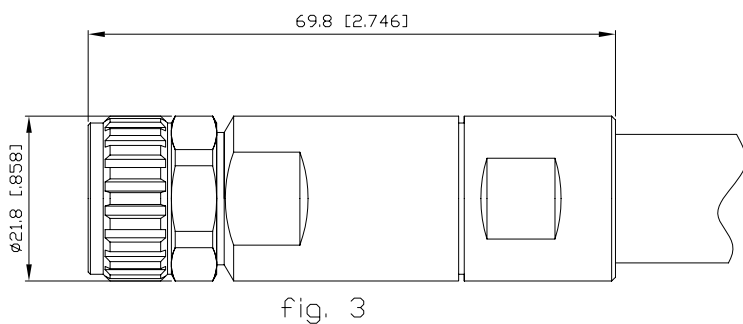
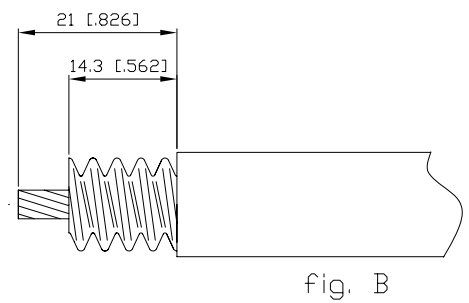
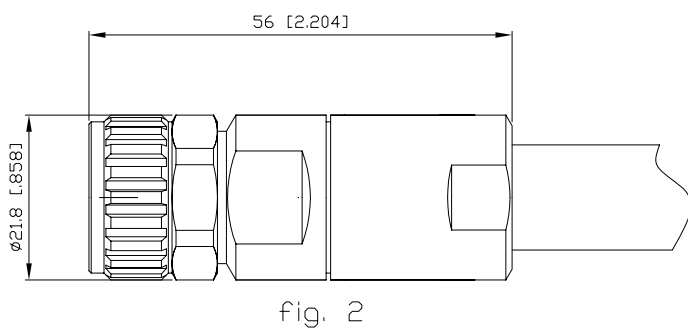
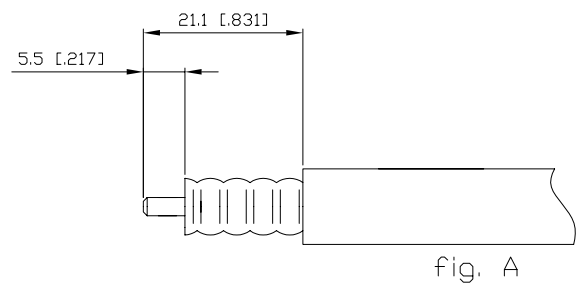
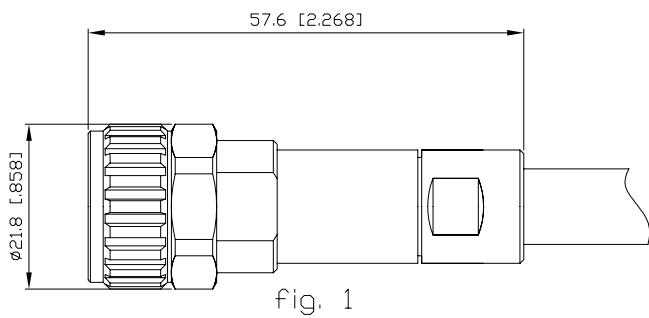
straight solder type jack panel
(front mounting)



CABLE CABLE	NOTE NOTA		ALFA'R CODE CÓDIGO ALFA'R	FIG. FIG.	INSTRUC. INSTRUC.	Ω
UT-250 (RG-401)	pletina cuadrada <i>square flange</i>		A-N-22S63X-50-A	1	A	INS 18 50
	plano antiguo <i>non-moving plane bulkhead</i>		A-N-25S63X-50	2	B	
	pivote antiguo <i>non-moving pivot bulkhead</i>		A-N-25S63X-50-F	3	C	

Conectores para cable corrugado
macho recto

Connectors for corrugated cable
straight plug



CABLE	INSTRUC.	Ω	ALFA'R CODE	FIG.
CABLE	INSTRUC.		CÓDIGO ALFA'R	FIG.
CF 1/4" Cu2Y	INS 19	50	A-N-10P100Z-50	1 A
1/2" SUPERFLEX	INS 20		A-N-10P139Z-50	2 B
CF 1/2" Cu2Y	INS 19		A-N-10P160Z-50	3 C
CF 7/8" Cu2Y	INS 34		A-N-10P280Z-50	4 D

hembra recto

straight jack

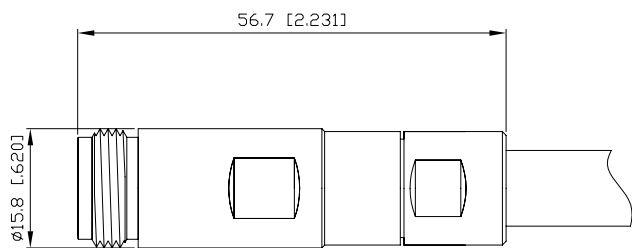


fig. 1

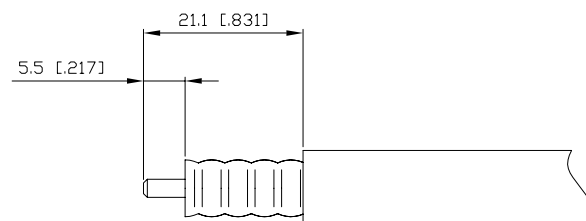


fig. A

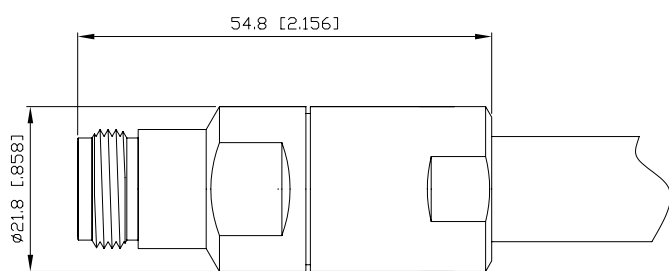


fig. 2

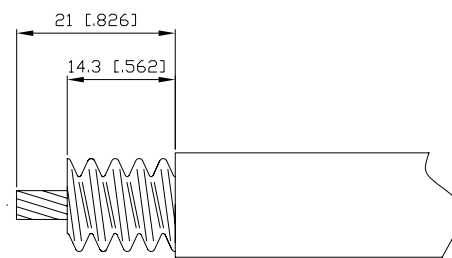


fig. B

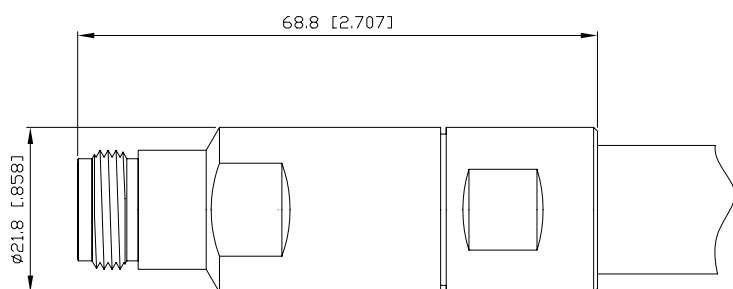


fig. 3

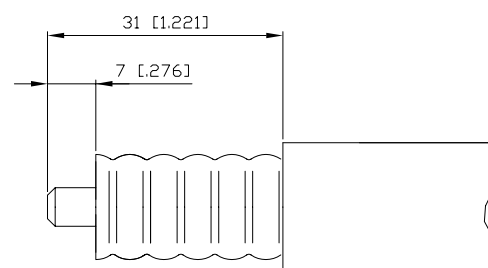


fig. C

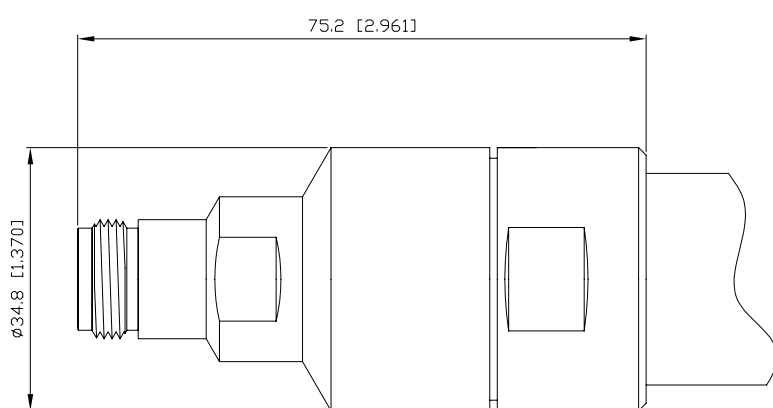


fig. 4

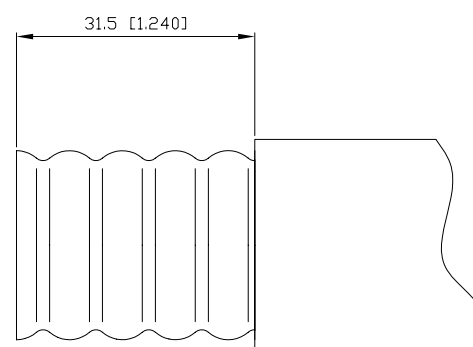


fig. D

CABLE	INSTRUC.	Ω	ALFA'R CODE CÓDIGO ALFA'R	FIG.
CABLE	INSTRUC.			FIG.
CF 1/4" Cu2Y	INS 19	50	A-N-20P100Z-50	1 A
1/2" SUPERFLEX	INS 20		A-N-20P139Z-50	2 B
CF 1/2" Cu2Y	INS 19		A-N-20P160Z-50	3 C
CF 7/8" Cu2Y	INS 34		A-N-20P280Z-50	4 D

macho 90°

90° plug

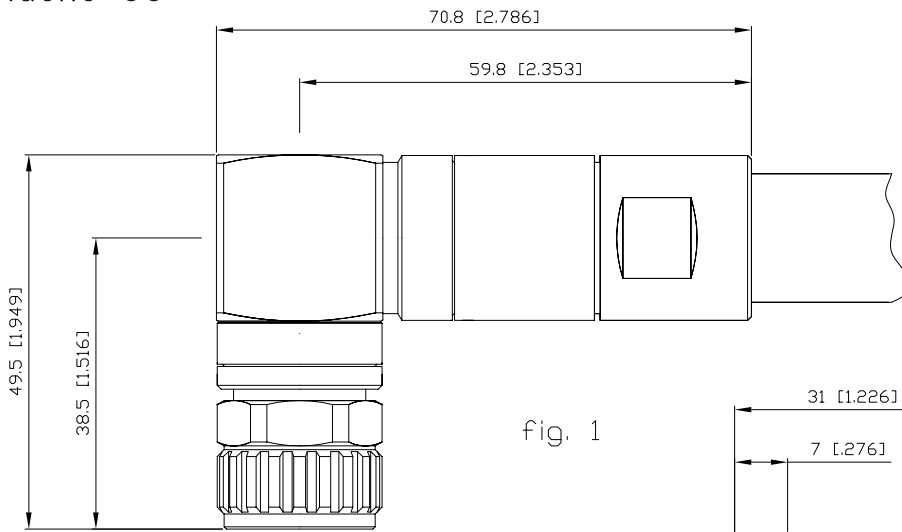


fig. 1

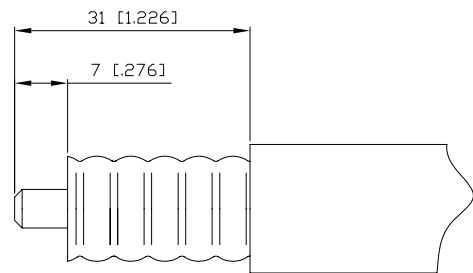


fig. A

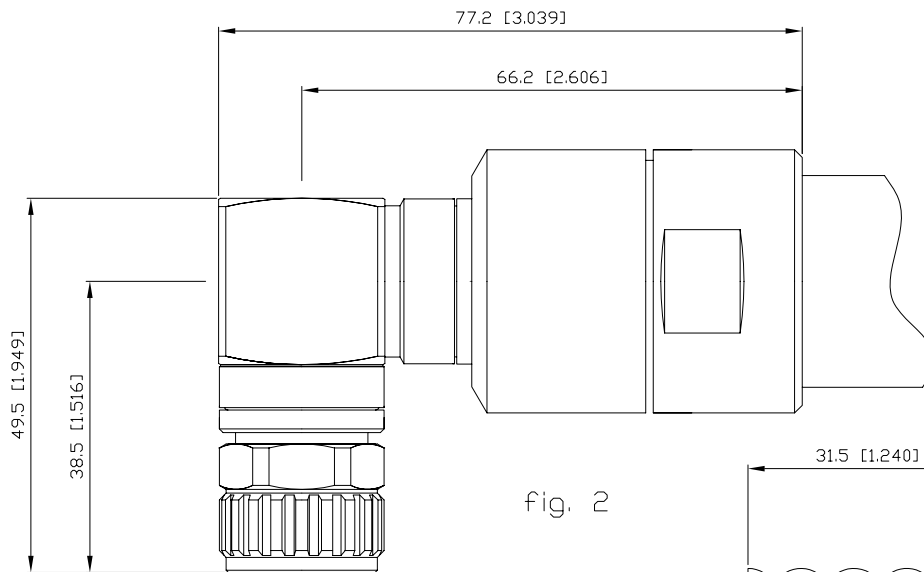


fig. 2

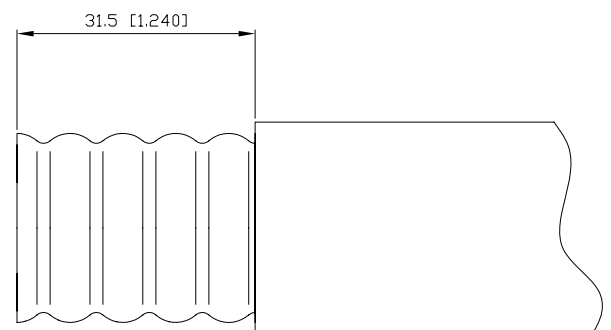


fig. B

CABLE	INSTRUC.	Ω	ALFA'R CODE	FIG.
CABLE	INSTRUC.		CÓDIGO ALFA'R	FIG.
CF 1/2" Cu2Y	INS 19	50	A-N-11P160Z-50	1 A
CF 7/8" Cu2Y	INS 34		A-N-11P280Z-50	2 B

Conectores para cable flexible
macho recto crimp

Connectors for flexible cable
straight crimp type plug

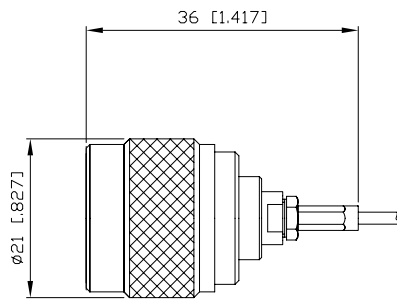


fig.1

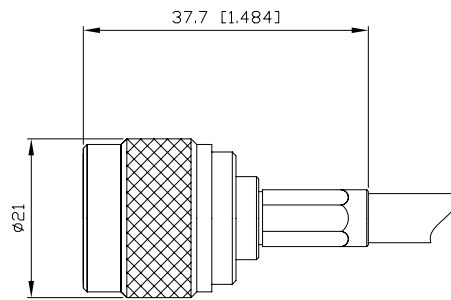


fig.2

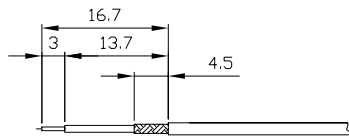


fig.A

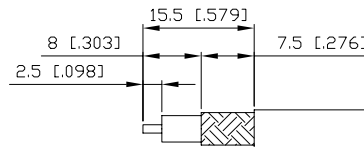


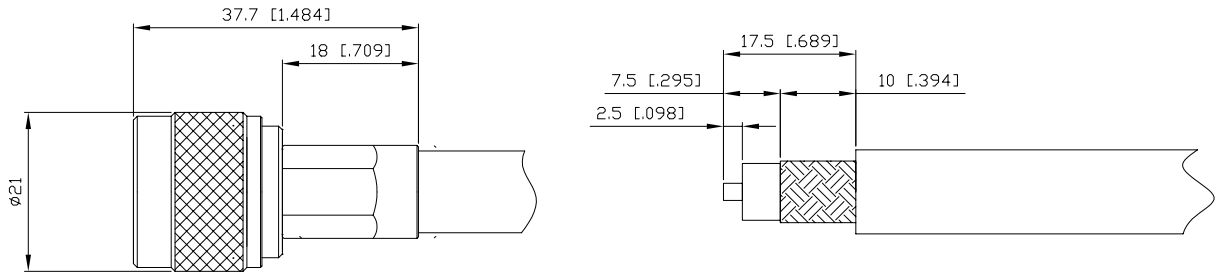
fig.B

CABLE CABLE	INSTRUC. INSTRUC.	Ω	ALFA'R CODE CÓDIGO ALFA'R	FIG. FIG.	CRIMPING TOOL HERRAMIENTA CRIMP	
RG-178; RG-196	INS 8	50	A-N-10C18-50	1	A	
RG-316			A-N-10C25A-50			
RG-174; RG-188			A-N-10C26-50			
RG-58; RG-141; RG-303	INS 9		A-N-10C50-50	2	B	
RG-142; RG-400			A-N-10C50A-50			
RG-223			A-N-10C54-50			
S 04272 B			A-N-10C55-50			
LMR-240			A-N-10C61D-50			
5D-FB			A-N-10C76-50			
LMR-300	A-N-10C76A-50					A-EIN-C-1-52

TX-20	INS 8	75	A-N-10C16-75	1	A	A-EIN-C-1-C62
RG-179			A-N-10C25-75			
RG-187			A-N-10C26B-75			
FLEX-2	INS 9		A-N-10C27-75	2	B	A-EIN-C-1-642
FLEX-4			A-N-10C45-75			
FLEX-5			A-N-10C47-75			
ST-214			A-N-10C59-75			
FLEX-6			A-N-10C60-75			
RG-59			A-N-10C61-75			
0.8-0.7; 1505A; 9889; VK-6	A-N-10C61B-75					A-EIN-C-1-342
TF-2240	A-N-10C67-75					A-EIN-C-1-52
RG-6 CATV	A-N-10C68-75					
FLEX-7	A-N-10C74-75					
VK49		A-N-10C77-75				

macho crimp recto

straight crimp type plug

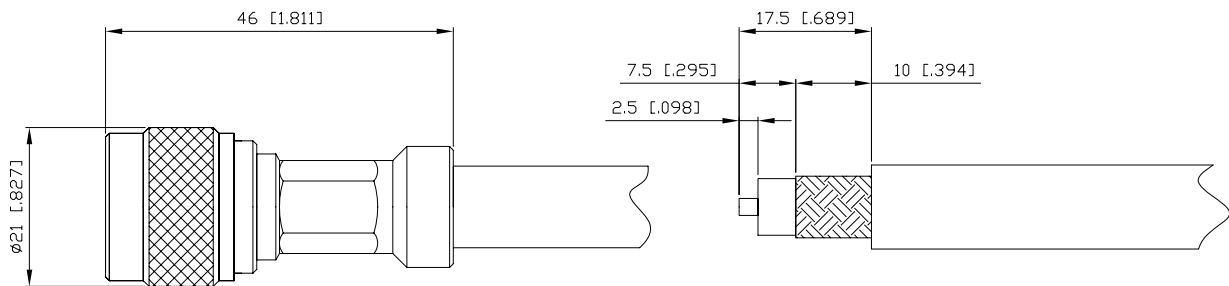


CABLE CABLE	INSTRUC. INSTRUC.	Ω	ALFA'R CODE CÓDIGO ALFA'R	CRIMPING TOOL HERRAMIENTA CRIMP
RG-393	INS 9	50	A-N-10C99-50	A-EIN-C-2-D2
ECO FLEX-10			A-N-10C100-50	
RG-8			A-N-10C101-50	
RG-213; RG-165			A-N-10C103-50	
LMR-400	INS 37	A-N-10C103D-50		
RG-214	INS 9	50	A-N-10C108-50	
RG-225			A-N-10C109-50	

RG-6 MIL	INS 9	75	A-N-10C84-75	A-EIN-C-2-D1
1.0/6.6/8.8			A-N-10C88-75	
14/8 CATV			A-N-10C102-75	
RG-11			A-N-10C103A-75	
RG-216			A-N-10C108A-75	

macho crimp recto
estanco

straight crimp type plug
waterproof



CABLE CABLE	INSTRUC. INSTRUC.	Ω	ALFA'R CODE CÓDIGO ALFA'R	CRIMPING TOOL HERRAMIENTA CRIMP
RG-213; RG-165	INS 36	50	A-N-10C103-50-A	A-EIN-C-2-D2
LMR400	INS 37		A-N-10C103D-50-A	
RG-214	INS 36		A-N-10C108-50-A	

RG-11MIL	INS 36	75	A-N-10C103A-75-A	A-EIN-C-2-D1
RG-216			A-N-10C108A-75-A	

macho 90° crimp

90° crimp type plug

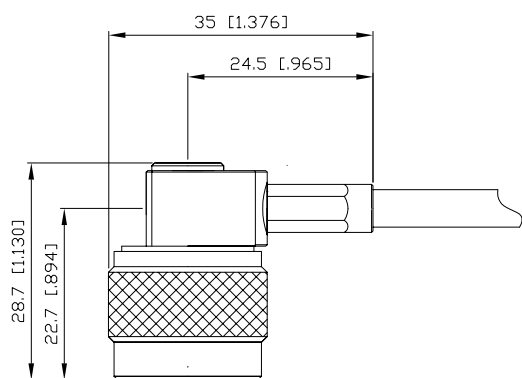


fig. 1

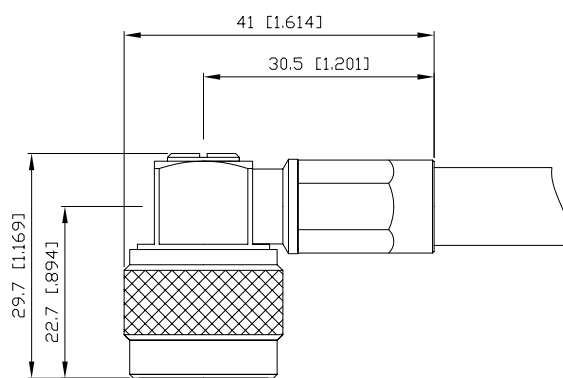


fig. 2

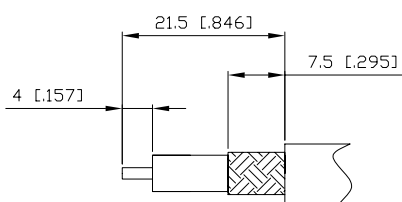


fig. A

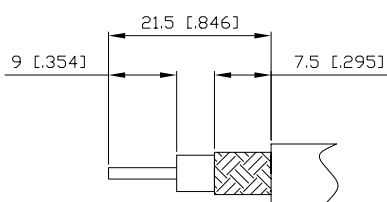


fig. B

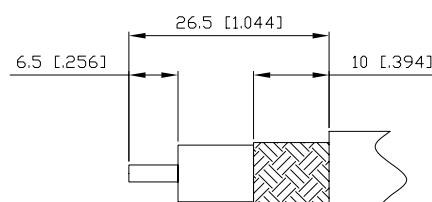
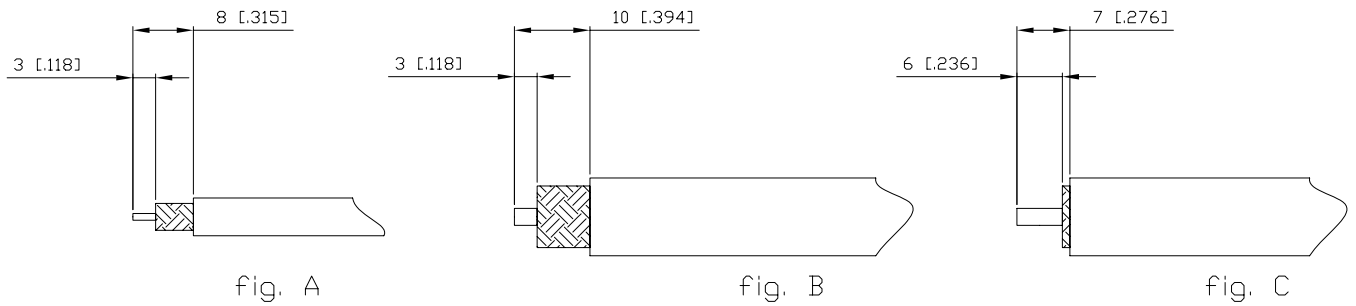
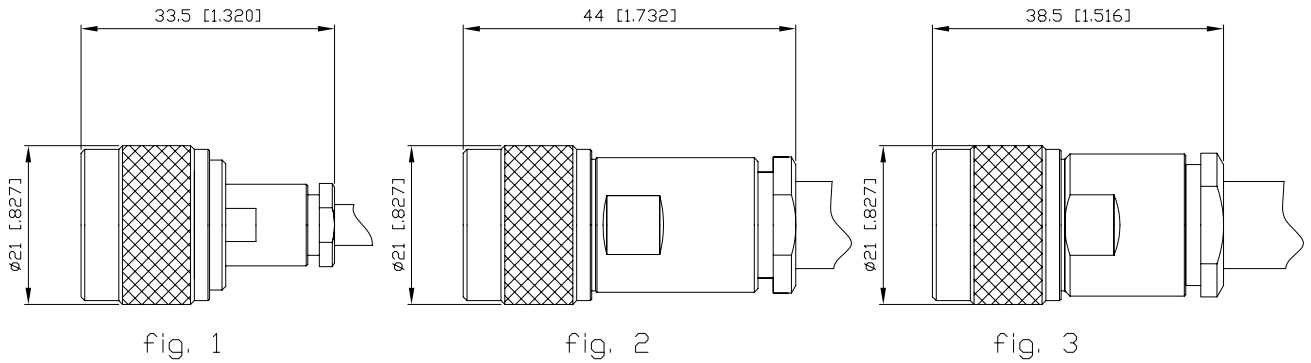


fig. C

CABLE CABLE	INSTRUC. INSTRUC.	Ω	ALFA'R CODE CÓDIGO ALFA'R	FIG. FIG.	CRIMPING TOOL HERRAMIENTA CRIMP	
RG-58; RG-141; RG-303	INS 11	50	A-N-11C50-50	1	A-EIN-C-1-342	
RG-142; RG-400			A-N-11C50A-50			
RG-223			A-N-11C54-50			
S 04272 B			A-N-11C55-50			
LMR-240			A-N-11C61D-50			
5D-FB			A-N-11C76-50			
LMR-300			A-N-11C76A-50	2		C
RG-393			A-N-11C99-50			
ECO FLEX-10			A-N-11C100-50			
RG-8			A-N-11C101-50			
RG-213			A-N-11C103-50			
LMR-400; RG-165			A-N-11C103D-50			
RG-214			A-N-11C108-50			
RG-225			A-N-11C109-50			

macho recto prensaestopas

straight clamp type plug



CABLE CABLE	INSTRUC. INSTRUC.	Ω	ALFA'R CODE CÓDIGO ALFA'R	FIG. FIG.
RG-316	INS 21	50	A-N-10P25A-50	1 A
RG-174; RG-188			A-N-10P26-50	
RG-58; RG-141; RG-303			A-N-10P50-50	
RG-142; RG-400			A-N-10P50A-50	2 B
LMR-240			A-N-10P61D-50	
RG-8			A-N-10P101-50	
RG-213	INS 35		A-N-10P103-50	3 C
LMR-400	INS 37		A-N-10P103D-50	2 B
RG-214	INS 21		A-N-10P108-50	
RG-225		A-N-10P109-50		

RG-179	INS 21	75	A-N-10P25-75	1 A
RG-187			A-N-10P26B-75	
ST-214			A-N-10P59-75	
FLEX-6			A-N-10P60-75	
RG-59			A-N-10P61-75	2 B
Three Shield $\phi 6.1$			A-N-10P61B-75	
14/8 CATV			A-N-10P102-75	
RG-11			A-N-10P103A-75	
RG-216		A-N-10P108A-75		

macho 90° prensaestopas

90° clamp type plug

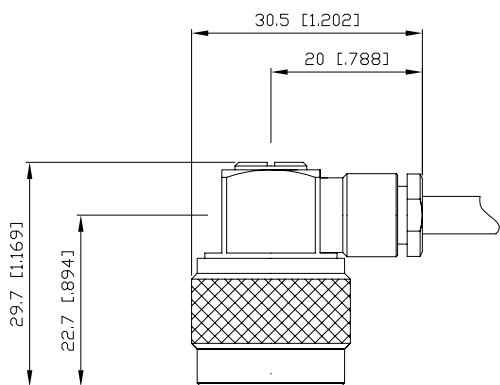


fig. 1

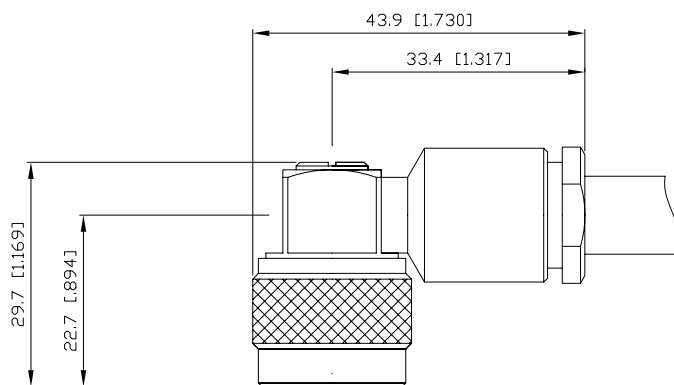


fig. 2

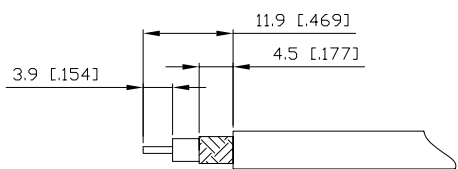


fig. A

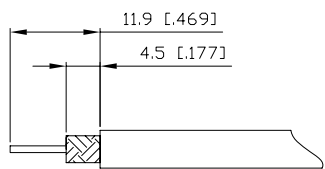


fig. B

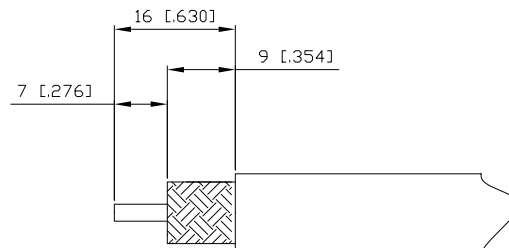


fig. C

CABLE CABLE	INSTRUC. INSTRUC.	Ω	ALFA'R CODE CÓDIGO ALFA'R	FIG. FIG.	
RG-316	INS 14	50	A-N-11P25A-50	1	
RG-174; RG-188			A-N-11P26-50		
RG-58; RG-141; RG-303			A-N-11P50-50	B	
RG-142; RG-400			A-N-11P50A-50		
LMR-240			A-N-11P61D-50	2	
RG-8			A-N-11P101-50		C
RG-213			A-N-11P103-50		
LMR-400; RG-165			A-N-11P103D-50		
RG-214			A-N-11P108-50		
RG-225			A-N-11P109-50		

hembra recta crimp

straight crimp type jack

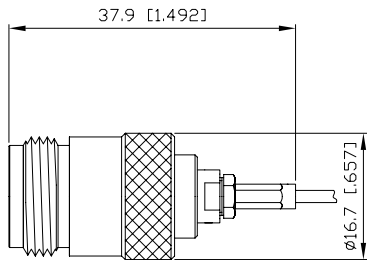


fig.1

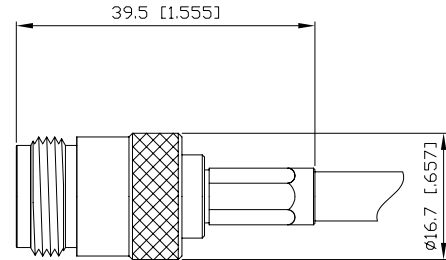


fig.2

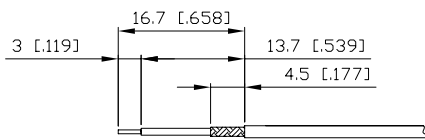


fig.A

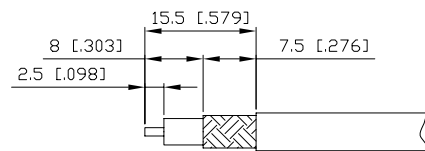


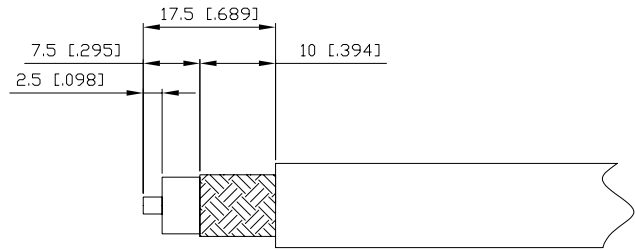
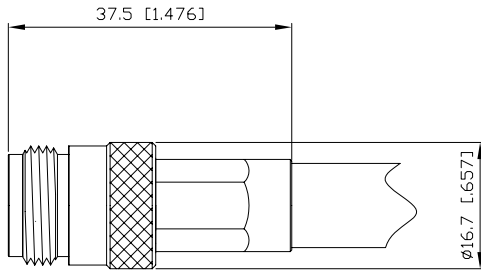
fig.B

CABLE CABLE	INSTRUC. INSTRUC.	Ω	ALFA'R CODE CÓDIGO ALFA'R	FIG. FIG.	CRIMPING TOOL HERRAMIENTA CRIMP
RG-178; RG-196	INS 8	50	A-N-20C18-50	1 A	A-EIN-C-1-C62
RG-316			A-N-20C25A-50		A-EIN-C-1-642
RG-174; RG-188			A-N-20C26-50		A-EIN-C-1-642
RG-58; RG-141; RG-303	INS 9		A-N-20C50-50	2 B	A-EIN-C-1-342
RG-142; RG-400			A-N-20C50A-50		
RG-223			A-N-20C54-50		
S 04272-B			A-N-20C55-50		
LMR-240			A-N-20C61D-50		A-EIN-C-1-52
5D-FB			A-N-20C76-50		
LMR-300			A-N-20C76A-50		

TX-20	INS 8	75	A-N-20C16-75	1 A	A-EIN-C-1-C62
RG-179			A-N-20C25-75		A-EIN-C-1-642
RG-187			A-N-20C26B-75		A-EIN-C-1-642
FLEX-2			A-N-20C27-75		A-EIN-C-1-642
FLEX-4	INS 9		A-N-20C45-75	2 B	A-EIN-C-1-932
FLEX-5			A-N-20C47-75		A-EIN-C-1-342
ST-214			A-N-20C59-75		
FLEX-6			A-N-20C60-75		
RG-59			A-N-20C61-75		
0.8-0.7; 1505A; 9889; VK-6			A-N-20C61B-75		A-EIN-C-1-52
TF-2240		A-N-20C67-75			
RG-6 CATV	A-N-20C68-75				
FLEX-7	A-N-20C74-75	A-EIN-C-1-52			
VK-49	A-N-20C77-75				

hembra recta crimp

straight crimp type jack

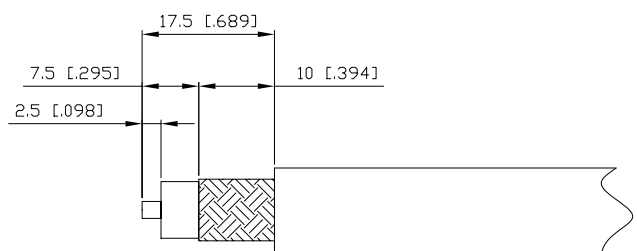
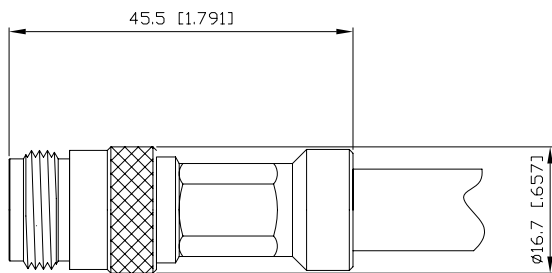


CABLE CABLE	INSTRUC. INSTRUC.	Ω	ALFA'R CODE CÓDIGO ALFA'R	CRIMPING TOOL HERRAMIENTA CRIMP
RG-393	INS 9	50	A-N-20C99-50	A-EIN-C-2-D2
ECO FLEX-10			A-N-20C100-50	
RG-8			A-N-20C101-50	
RG-213			A-N-20C103-50	
LMR-400; RG-165			A-N-20C103D-50	
RG-214			A-N-20C108-50	
RG-225			A-N-20C109-50	

RG-6 MIL	INS 9	75	A-N-20C84-75	A-EIN-C-2-D2
14/8 CATV			A-N-20C102-75	
RG-11			A-N-20C103A-75	
RG-216			A-N-20C108A-75	

macho crimp recto
estanco

straight crimp type plug
waterproof



CABLE CABLE	INSTRUC. INSTRUC.	Ω	ALFA'R CODE CÓDIGO ALFA'R	CRIMPING TOOL HERRAMIENTA CRIMP
RG-213; RG-165	INS 36	50	A-N-20C103-50-A	A-EIN-C-2-D2
LMR400	INS 37		A-N-20C103D-50-A	
RG-214	INS 36		A-N-20C108-50-A	

RG-11MIL	INS 36	75	A-N-20C103A-75-A	A-EIN-C-2-D1
RG-216			A-N-20C108A-75-A	

hembra recta prensaestopas

straight clamp type jack

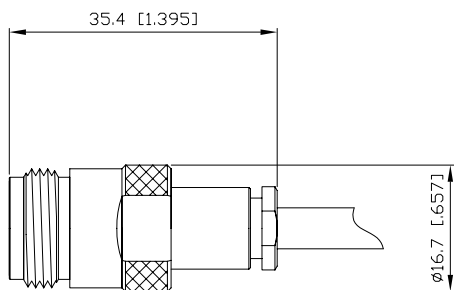


fig. 1

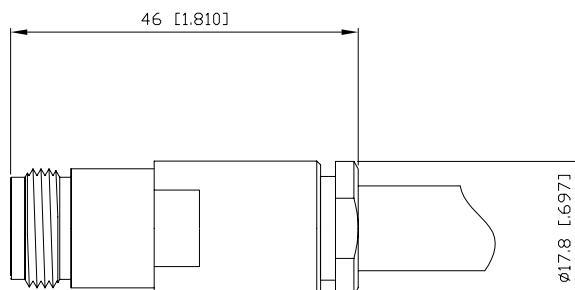


fig. 2

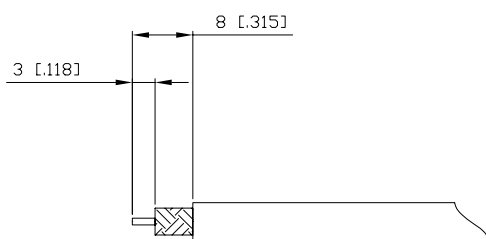


fig. A

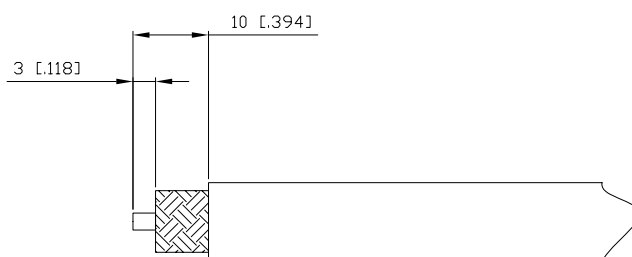


fig. B

CABLE CABLE	INSTRUC. INSTRUC.	Ω	ALFA'R CODE CÓDIGO ALFA'R	FIG. FIG.
RG-316	INS 21	50	A-N-20P25A-50	1 A
RG-174; RG-188			A-N-20P26-50	
RG-58; RG-141; RG-303			A-N-20P50-50	
RG-142; RG-400			A-N-20P50A-50	
LMR-240			A-N-20P61D-50	
RG-8			A-N-20P101-50	2 B
RG-213			A-N-20P103-50	
LMR-400; RG-165			A-N-20P103D-50	
RG-214			A-N-20P108-50	
RG-225			A-N-20P109-50	

RG-179	INS 21	75	A-N-20P25-75	1 A
RG-187			A-N-20P26B-75	
ST-214			A-N-20P59-75	
FLEX-6			A-N-20P60-75	
RG-59			A-N-20P61-75	
0.8-0.7; 1505A; 9889; VK-6			A-N-20P61B-75	2 B
14/8 CATV			A-N-20P102-75	
RG-11			A-N-20P103A-75	
RG-216			A-N-20P108A-75	

hembra recta panel crimp
(pletina cuadrada)

straight crimp type jack panel
(square flange)

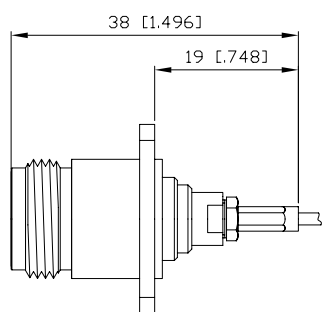


fig.1

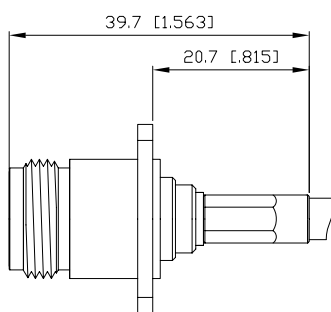


fig.2

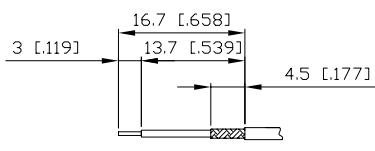
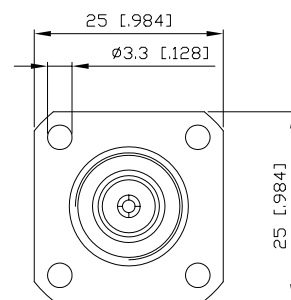


fig.A

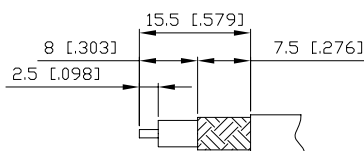
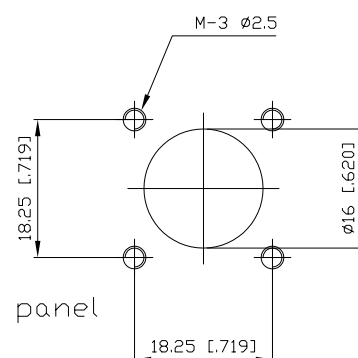


fig.B



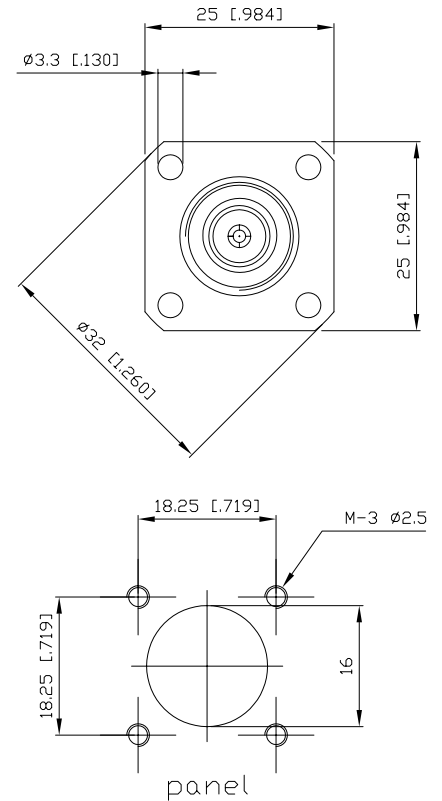
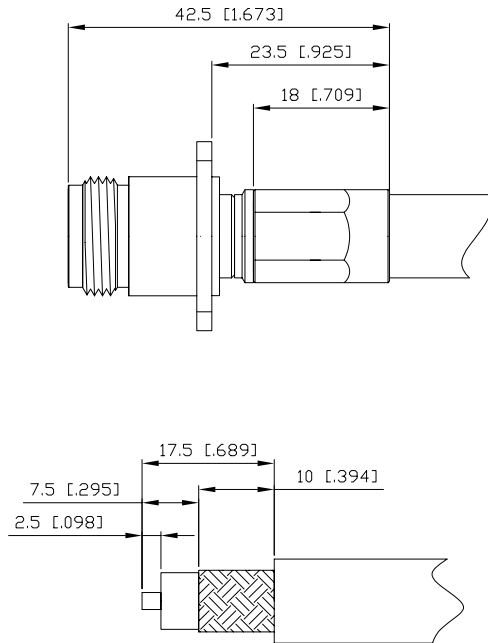
panel

CABLE	INSTRUC.	Ω	ALFA'R CODE CÓDIGO ALFA'R	FIG.	CRIMPING TOOL HERRAMIENTA CRIMP
RG-178; RG-196	INS 8	50	A-N-22C18-50	1	A
RG-316			A-N-22C25A-50		
RG-174; RG-188			A-N-22C26-50		
RG-58; RG-141; RG-303	INS 9		A-N-22C50-50	2	B
RG-142; RG-400			A-N-22C50A-50		
RG-223			A-N-22C54-50		
S 04272 B			A-N-22C55-50		
LMR-240			A-N-22C61D-50		

TX-20	INS 8	75	A-N-22C16-75	1	A
RG-179			A-N-22C25-75		
RG-187			A-N-22C26B-75		
FLEX-2	A-N-22C27-75		2	B	
FLEX-3	A-N-22C35-75				
FLEX-4	A-N-22C45-75				
FLEX-5	A-N-22C47-75				
ST-214	A-N-22C59-75				
FLEX-6	A-N-22C60-75		2	B	
RG-59	A-N-22C61-75				
0.8-0.7; 1505A; 9889; VK-6	A-N-22C61B-75				
TF-2240	A-N-22C67-75				
RG-6 CATV	A-N-22C68-75				
FLEX-7	A-N-22C74-75		2	B	
VK-49	A-N-22C77-75				

hembra recta panel crimp
(pletina cuadrada)

straight crimp type jack panel
(square flange)

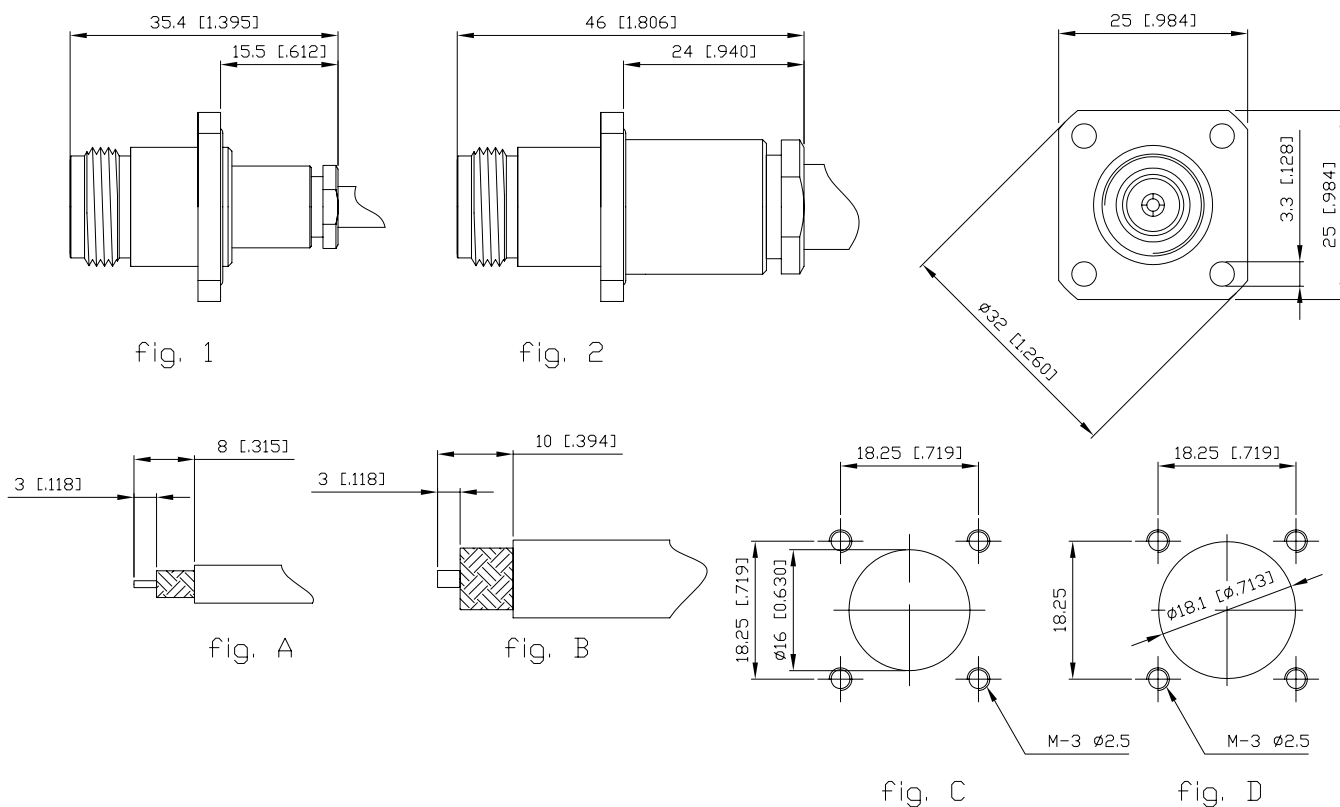


CABLE	INSTRUC.	Ω	ALFA'R CODE CÓDIGO ALFA'R	CRIMPING TOOL HERRAMIENTA CRIMP
RG-393	INS 9	50	A-N-22C99-50	A-EIN-C-2-D2
ECO FLEX-10			A-N-22C100-50	
RG-8			A-N-22C101-50	
RG-213			A-N-22C103-50	
LMR-400; RG-165			A-N-22C103D-50	
RG-214			A-N-22C108-50	
RG-225			A-N-22C109-50	

RG-6 MIL	INS 9	75	A-N-22C84-75	A-EIN-C-2-D2
1.0/6.6/8.8			A-N-22C88-75	
14/8 CATV			A-N-22C102-75	
RG-11			A-N-22C103A-75	
RG-216			A-N-22C108A-75	

hembra recta panel prensaestopas
(pletina cuadrada)
estanco

straight clamp type jack panel
(square flange)
waterproof



CABLE	INSTRUC.	Ω	ALFA'R CODE	FIG.	
CABLE	INSTRUC.		CÓDIGO ALFA'R	FIG.	
RG-316	INS 21	50	A-N-22P25A-50	1	A C
RG-174; RG-188			A-N-22P26-50		
RG-58; RG-141; RG-303			A-N-22P50-50		
RG-142; RG-400			A-N-22P50A-50		
LMR-240			A-N-22P61D-50	2	B D
RG-8			A-N-22P101-50		
RG-213			A-N-22P103-50		
LMR-400; RG-165			A-N-22P103D-50		
RG-214			A-N-22P108-50		
RG-225			A-N-22P109-50		

RG-179	INS 21	75	A-N-22P25-75	1	A C
RG-187			A-N-22P26B-75		
ST-214			A-N-22P59-75		
FLEX-6			A-N-22P60-75		
RG-59			A-N-22P61-75	2	B D
0.8-0.7; 1505A; 9889; VK-6			A-N-22P61B-75		
14/8 CATV			A-N-22P102-75		
RG-11			A-N-22P103A-75		
RG-216			A-N-22P108A-75		

hembra recta panel crimp
plano antiguo
(montaje frontal)

straight crimp type jack panel
non-moving plane
(front mounting bulkhead)

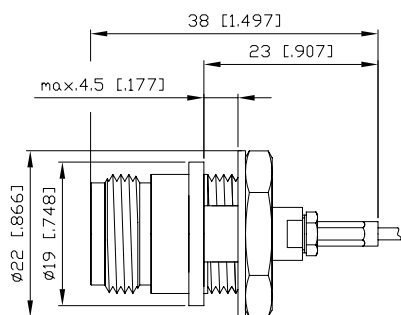


fig. 1

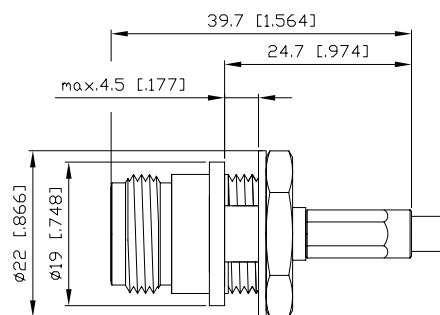


fig. 2

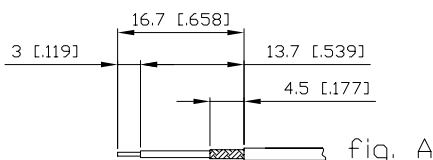


fig. A

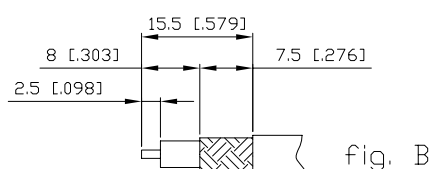
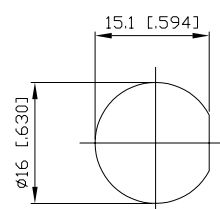


fig. B



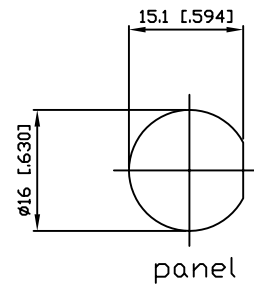
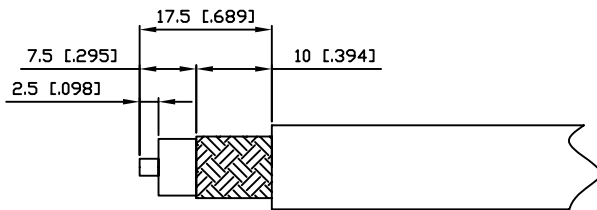
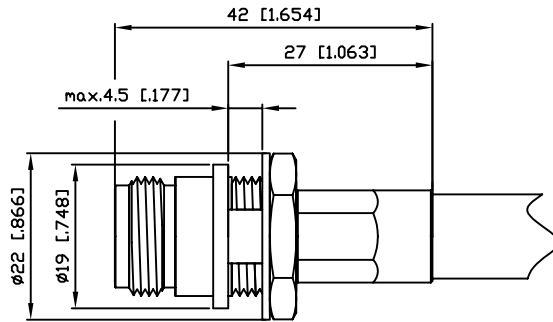
panel

CABLE CABLE	INSTRUC. INSTRUC.	Ω	ALFA'R CODE CÓDIGO ALFA'R	FIG. FIG.	CRIMPING TOOL HERRAMIENTA CRIMP
RG-178; RG-196	INS 8	50	A-N-25C18-50	1 A	A-EIN-C-1-C62
RG-316			A-N-25C25A-50		A-EIN-C-1-642
RG-174; RG-188			A-N-25C26-50		
RG-58; RG-141; RG-303	INS 9	50	A-N-25C50-50	2 B	A-EIN-C-1-342
RG-142; RG-400			A-N-25C50A-50		
RG-223			A-N-25C54-50		
S 04272 B			A-N-25C55-50		
LMR-240			A-N-25C61D-50		A-EIN-C-1-52
5D-FB			A-N-25C76-50		
LMR-300			A-N-25C76A-50		

TX-20	INS 8	75	A-N-25C16-75	1 A	A-EIN-C-1-C62
RG-179			A-N-25C25-75		A-EIN-C-1-642
RG-187			A-N-25C26B-75		
FLEX-2	INS 9	75	A-N-25C27-75	2 B	A-EIN-C-1-932
FLEX-3			A-N-25C35-75		
FLEX-4			A-N-25C45-75		
FLEX-5			A-N-25C47-75		
ST-214			A-N-25C59-75		A-EIN-C-1-342
FLEX-6			A-N-25C60-75		
RG-59			A-N-25C61-75		
0.8-0.7; 1505A; 9889; VK-6			A-N-25C61B-75		A-EIN-C-1-52
TF-2240			A-N-25C67-75		
RG-6 CATV			A-N-25C68-75		
FLEX-7			A-N-25C74-75		
VK-49			A-N-25C77-75		

hembra recta panel crimp
plano antigiro
(montaje frontal)

straight crimp type jack panel
non-moving plane
(front mounting bulkhead)



CABLE	INSTRUC.	Ω	ALFA'R CODE	CRIMPING TOOL
CABLE	INSTRUC.		CÓDIGO ALFA'R	HERRAMIENTA CRIMP
RG-393	INS 9	50	A-N-25C99-50	A-EIN-C-2-D2
ECO FLEX-10			A-N-25C100-50	
RG-8			A-N-25C101-50	
RG-213			A-N-25C103-50	
LMR-400; RG-165			A-N-25C103D-50	
RG-214			A-N-25C108-50	
RG-225			A-N-25C109-50	

RG-6 MIL	INS 9	75	A-N-25C84-75	A-EIN-C-2-D2
1.0/6.6/8.8			A-N-25C88-75	
14/8 CATV			A-N-25C102-75	
RG-11			A-N-25C103A-75	
RG-216			A-N-25C108A-75	

hembra recta panel crimp
 pivote antigiro
 (montaje frontal)

straight crimp type jack panel
 non-moving pivot
 (front mounting bulkhead)

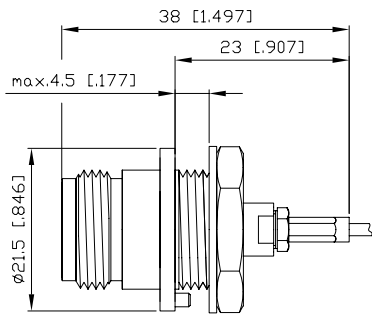


fig. 1

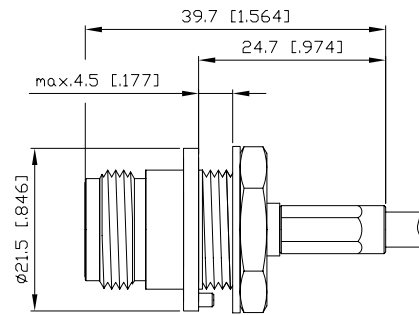


fig. 2

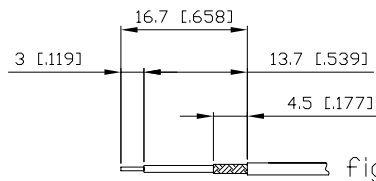


fig. A

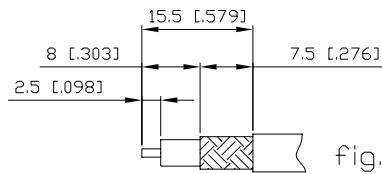
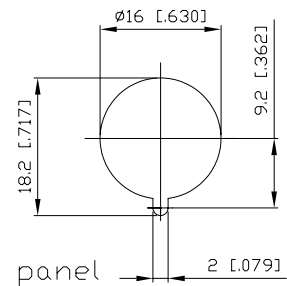


fig. B



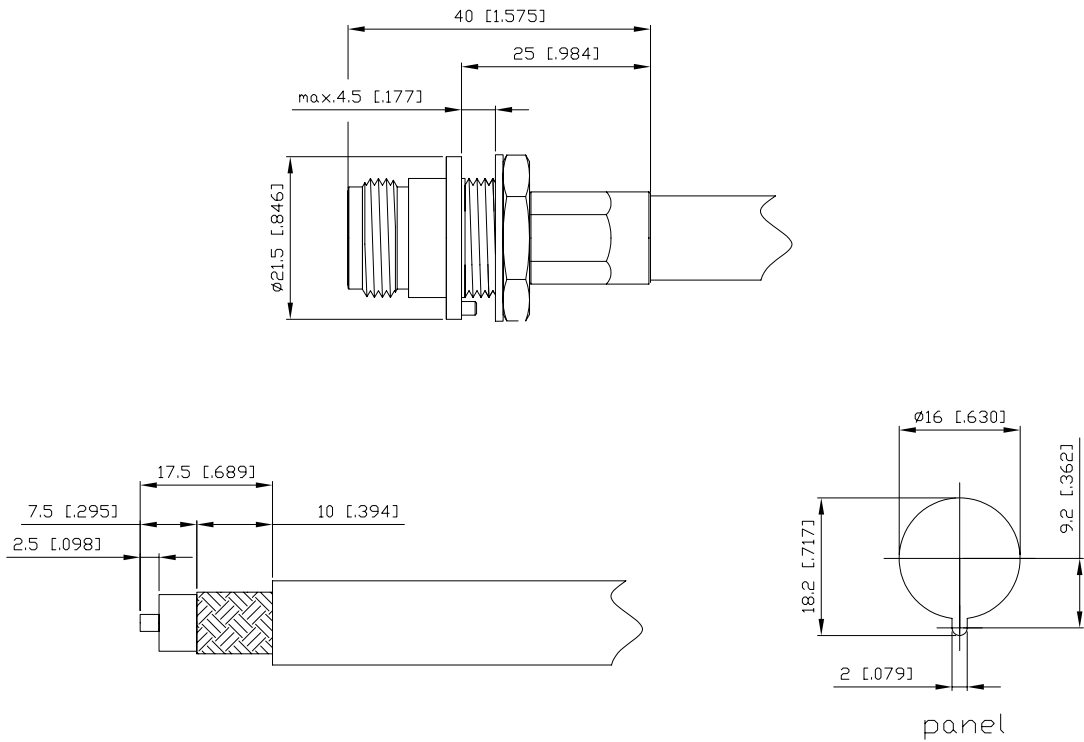
panel

CABLE CABLE	INSTRUC. INSTRUC.	Ω	ALFA'R CODE CÓDIGO ALFA'R	FIG. FIG.	CRIMPING TOOL HERRAMIENTA CRIMP
RG-178; RG-196	INS 8	50	A-N-25C18-50-F	1 A	A-EIN-C-1-C62
RG-316			A-N-25C25A-50-F		A-EIN-C-1-642
RG-174; RG-188			A-N-25C26-50-F		
RG-58; RG-141; RG-303	INS 9	50	A-N-25C50-50-F	2 B	A-EIN-C-1-342
RG-142; RG-400			A-N-25C50A-50-F		
RG-223			A-N-25C54-50-F		
S 04272 B			A-N-25C55-50-F		
LMR-240			A-N-25C61D-50-F		A-EIN-C-1-52
5D-FB			A-N-25C76-50-F		
LMR-300			A-N-25C76A-50-F		

TX-20	INS 8	75	A-N-25C16-75-F	1 A	A-EIN-C-1-C62			
RG-179			A-N-25C25-75-F		A-EIN-C-1-642			
RG-187			A-N-25C26B-75-F					
FLEX-2	INS 9	75	A-N-25C27-75-F	2 B	A-EIN-C-1-932			
FLEX-3			A-N-25C35-75-F					
FLEX-4			A-N-25C45-75-F					
FLEX-5			A-N-25C47-75-F					
ST-214			A-N-25C59-75-F		A-EIN-C-1-342			
FLEX-6			A-N-25C60-75-F					
RG-59			A-N-25C61-75-F					
0.8-0.7; 1505A; 9889; VK-6			A-N-25C61B-75-F		A-EIN-C-1-52			
TF-2240			A-N-25C67-75-F					
RG-6 CATV			A-N-25C68-75-F					
FLEX-7			A-N-25C74-75-F					
VK-49						A-N-25C77-75-F		

hembra recta panel crimp
 pivote antigiro
 (montaje frontal)

straight crimp type jack panel
 non-moving pivot
 (front mounting bulkhead)



CABLE	INSTRUC.	Ω	ALFA'R CODE	FIG.	CRIMPING TOOL
CABLE	INSTRUC.		CÓDIGO ALFA'R	FIG.	HERRAMIENTA CRIMP
RG-393	INS 9	50	A-N-25C99-50-F	2 B	A-EIN-C-2-D2
ECO FLEX-10			A-N-25C100-50-F		
RG-8			A-N-25C101-50-F		
RG-213			A-N-25C103-50-F		
LMR-400; RG-165			A-N-25C103D-50-F		
RG-214			A-N-25C108-50-F		
RG-225			A-N-25C109-50-F		

RG-6 MIL	INS 9	75	A-N-25C84-75-F		A-EIN-C-2-D2
1.0/6.6/8.8			A-N-25C88-75-F		
14/8 CATV			A-N-25C102-75-F		
RG-11			A-N-25C103A-75-F		
RG-216			A-N-25C108A-75-F		

hembra recta panel crimp
(montaje frontal)
estanco

straight crimp type jack panel
(front mounting bulkhead)
waterproof

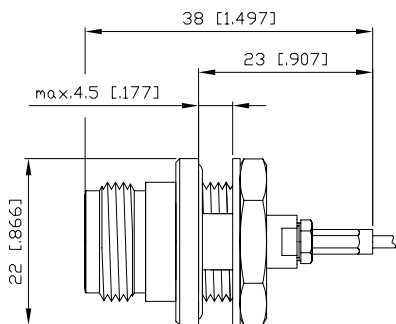


fig. 1

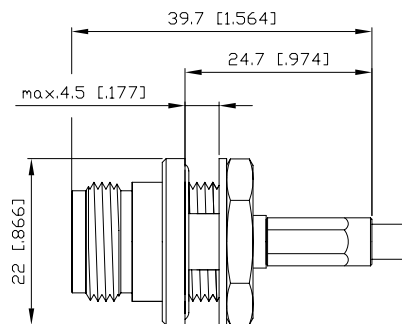


fig. 2

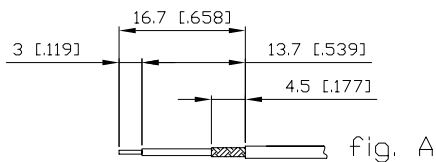


fig. A

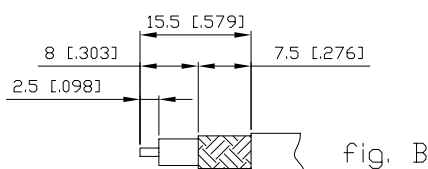
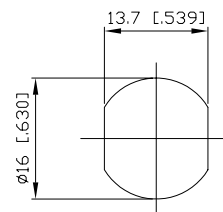


fig. B



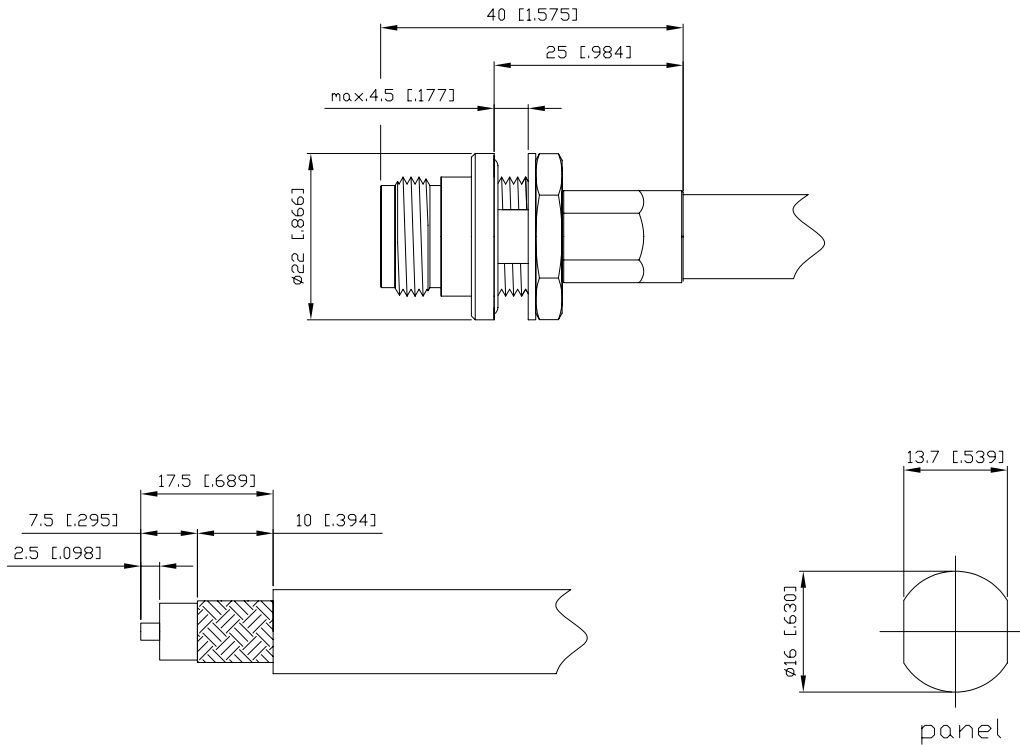
panel

CABLE CABLE	INSTRUC. INSTRUC.	Ω	ALFA'R CODE CÓDIGO ALFA'R	FIG. FIG.	CRIMPING TOOL HERRAMIENTA CRIMP
RG-178; RG-196	INS 8	50	A-N-25C18-50-C	1 A	A-EIN-C-1-C62
RG-316			A-N-25C25A-50-C		A-EIN-C-1-642
RG-174; RG-188			A-N-25C26-50-C		
RG-58; RG-141; RG-303	INS 9	50	A-N-25C50-50-C	2 B	A-EIN-C-1-342
RG-142; RG-400			A-N-25C50A-50-C		
RG-223			A-N-25C54-50-C		
S 04272 B			A-N-25C55-50-C		
LMR-240			A-N-25C61D-50-C		A-EIN-C-1-52
5D-FB			A-N-25C76-50-C		
LMR-300			A-N-25C76A-50-C		

TX-20	INS 8	75	A-N-25C16-75-C	1 A	A-EIN-C-1-C62
RG-179			A-N-25C25-75-C		A-EIN-C-1-642
RG-187			A-N-25C26B-75-C		
FLEX-2	INS 9	75	A-N-25C27-75-C	2 B	A-EIN-C-1-932
FLEX-3			A-N-25C35-75-C		
FLEX-4			A-N-25C45-75-C		
FLEX-5			A-N-25C47-75-C		
ST-214			A-N-25C59-75-C		A-EIN-C-1-342
FLEX-6			A-N-25C60-75-C		
RG-59			A-N-25C61-75-C		
0.8-0.7; 1505A; 9889; VK-6			A-N-25C61B-75-C		A-EIN-C-1-52
TF-2240			A-N-25C67-75-C		
RG-6 CATV			A-N-25C68-75-C		
FLEX-7	A-N-25C74-75-C				
VK-49			A-N-25C77-75-C		

hembra recta panel crimp
(montaje frontal)
estanco

straight crimp type jack panel
(front mounting bulkhead)
waterproof



CABLE	INSTRUC.	Ω	ALFA'R CODE	CRIMPING TOOL
CABLE	INSTRUC.		CÓDIGO ALFA'R	HERRAMIENTA CRIMP
RG-393	INS 9	50	A-N-25C99-50-C	A-EIN-C-2-D2
ECO FLEX-10			A-N-25C100-50-C	
RG-8			A-N-25C101-50-C	
RG-213			A-N-25C103-50-C	
LMR-400; RG-165			A-N-25C103D-50-C	
RG-214			A-N-25C108-50-C	
RG-225			A-N-25C109-50-C	

RG-6 MIL	INS 9	75	A-N-25C84-75-C	A-EIN-C-2-D2
1.0/6.6/8.8			A-N-25C88-75-C	
14/8 CATV			A-N-25C102-75-C	
RG-11			A-N-25C103A-75-C	
RG-216			A-N-25C108A-75-C	

hembra recta panel crimp
(montaje trasero)
estanco

straight crimp type jack panel
(rear mounting bulkhead)
waterproof

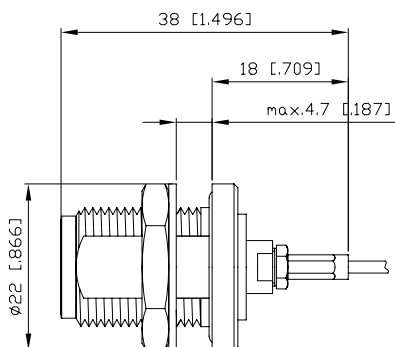


fig. 1

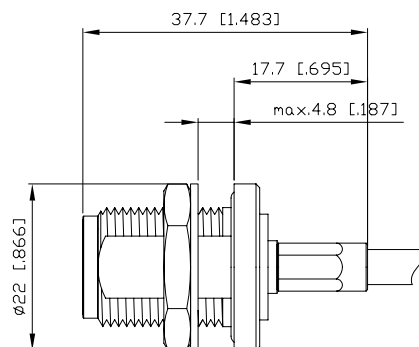


fig. 2

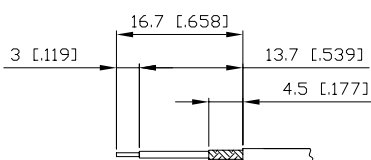


fig. A

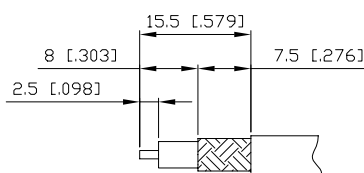
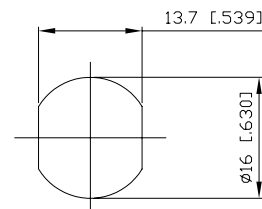


fig. B



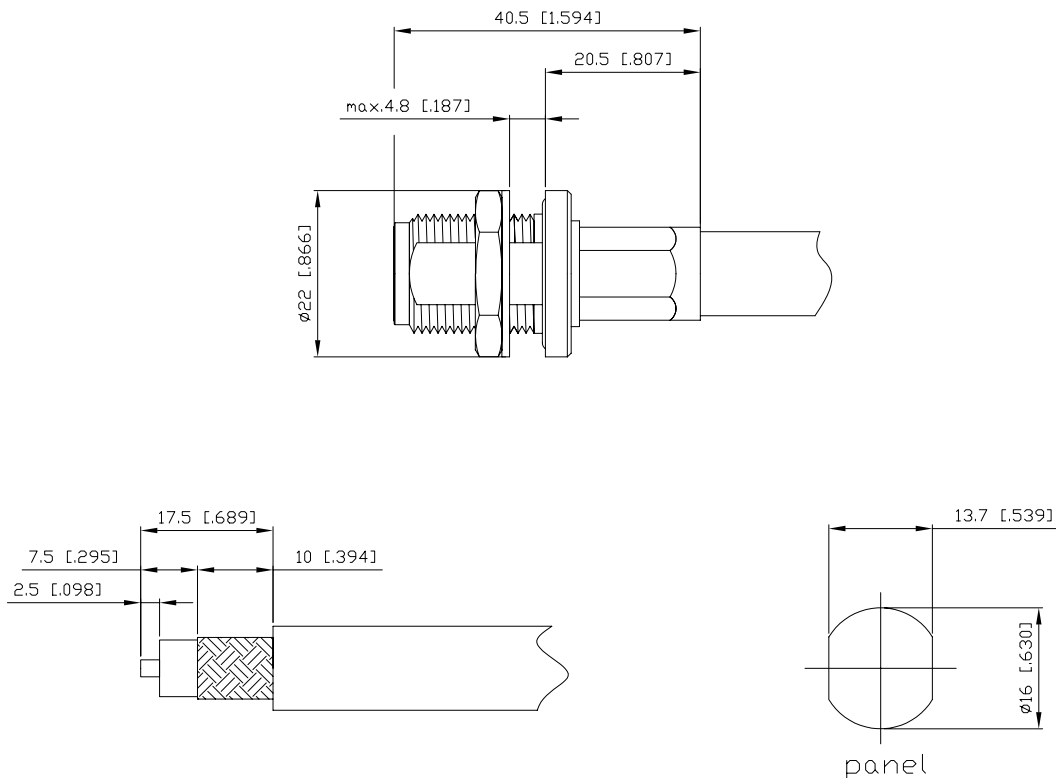
panel

CABLE CABLE	INSTRUC. INSTRUC.	Ω	ALFA'R CODE CÓDIGO ALFA'R	FIG. FIG.	CRIMPING TOOL HERRAMIENTA CRIMP
RG-178; RG-196	INS 8	50	A-N-26C18-50	1 A	A-EIN-C-1-C62
RG-316			A-N-26C25A-50		A-EIN-C-1-642
RG-174; RG-188			A-N-26C26-50		
RG-58; RG-141; RG-303	INS 9	50	A-N-26C50-50	2 B	A-EIN-C-1-342
RG-142; RG-400			A-N-26C50A-50		
RG-223			A-N-26C54-50		
S 04272 B			A-N-26C55-50		
LMR-240			A-N-26C61D-50		A-EIN-C-1-52
5D-FB			A-N-26C76-50		
LMR-300			A-N-26C76A-50		

TX-20	INS 8	75	A-N-26C16-75	1 A	A-EIN-C-1-C62
RG-179			A-N-26C25-75		A-EIN-C-1-642
RG-187			A-N-26C26B-75		
FLEX-2	INS 9	75	A-N-26C27-75	2 B	A-EIN-C-1-932
FLEX-3			A-N-26C35-75		
FLEX-4			A-N-26C45-75		
FLEX-5			A-N-26C47-75		
ST-214			A-N-26C59-75		A-EIN-C-1-342
FLEX-6			A-N-26C60-75		
RG-59			A-N-26C61-75		A-EIN-C-1-52
0.8-0.7; 1505A; 9889; VK-6			A-N-26C61B-75		
TF-2240			A-N-26C67-75		
RG-6 CATV			A-N-26C68-75		
FLEX-7			A-N-26C74-75		
VK-49			A-N-26C77-75		

hembra recta panel crimp
(montaje trasero)
estanco

straight crimp type bulkhead jack
(rear mounting)
waterproof

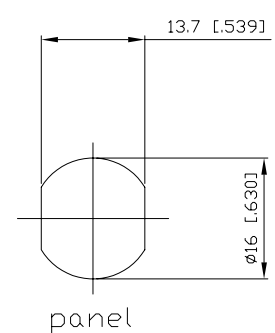
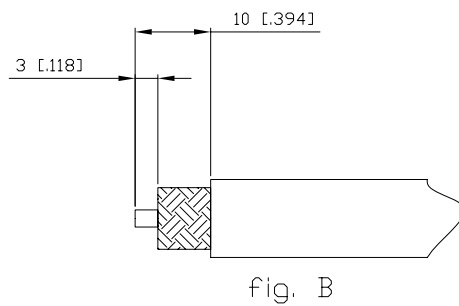
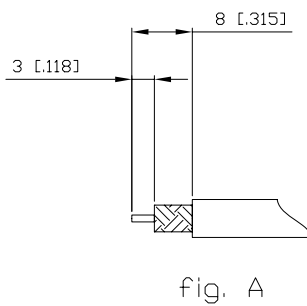
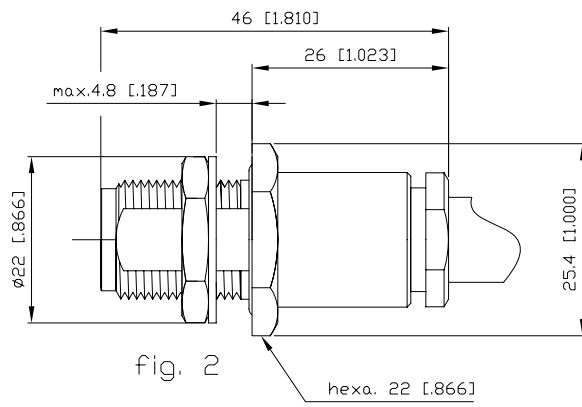
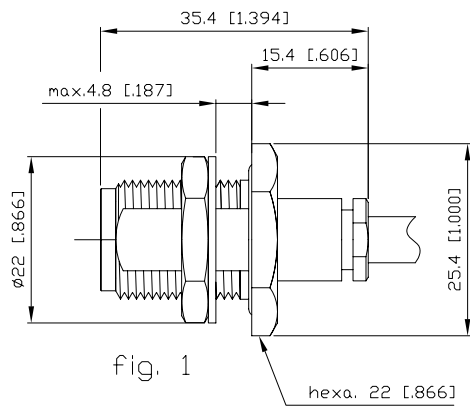


CABLE CABLE	INSTRUC. INSTRUC.	Ω	ALFA'R CODE CÓDIGO ALFA'R	CRIMPING TOOL HERRAMIENTA CRIMP
RG-393	INS 9	50	A-N-26C99-50	A-EIN-C-2-D2
ECO FLEX-10			A-N-26C100-50	
RG-8			A-N-26C101-50	
RG-213			A-N-26C103-50	
LMR-400; RG-165			A-N-26C103D-50	
RG-214			A-N-26C108-50	
RG-225			A-N-26C109-50	

RG-6 MIL	INS 9	75	A-N-26C84-75	A-EIN-C-2-D2
1.0/6.6/8.8			A-N-26C88-75	
14/8 CATV			A-N-26C102-75	
RG-11			A-N-26C103A-75	
RG-216			A-N-26C108A-75	

hembra recta panel prensaestopas
(montaje trasero)
estanco

straight clamp type jack panel
(rear mounting bulkhead)
waterproof

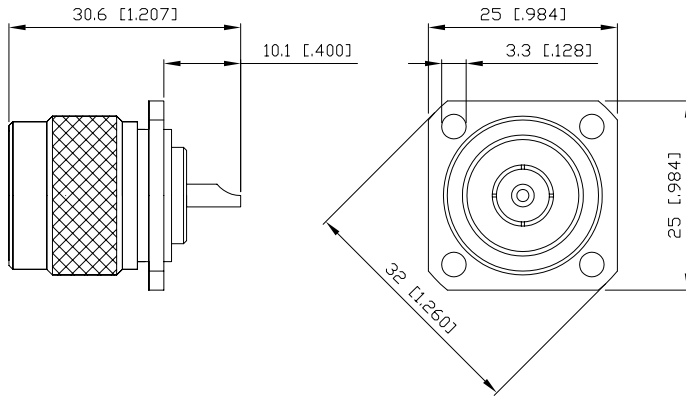


CABLE	INSTRUC.	Ω	ALFA'R CODE	FIG.
CABLE	INSTRUC.		CÓDIGO ALFA'R	FIG.
RG-316	INS 21	50	A-N-26P25A-50	1 A
RG-174; RG-188			A-N-26P26-50	
RG-58; RG-141; RG-303			A-N-26P50-50	
RG-142; RG-400			A-N-26P50A-50	
LMR-240			A-N-26P61D-50	
RG-8			A-N-26P101-50	2 B
RG-213			A-N-26P103-50	
LMR-400; RG-165			A-N-26P103D-50	
RG-214			A-N-26P108-50	
RG-225			A-N-26P109-50	

RG-179	INS 21	75	A-N-26P25-75	1 A
RG-187			A-N-26P26B-75	
ST-214			A-N-26P59-75	
FLEX-6			A-N-26P60-75	
RG-59			A-N-26P61-75	
0.8-0.7; 1505A; 9889; VK-6			A-N-26P61B-75	2 B
14/8 CATV			A-N-26P102-75	
RG-11			A-N-26P103A-75	
RG-216			A-N-26P108A-75	

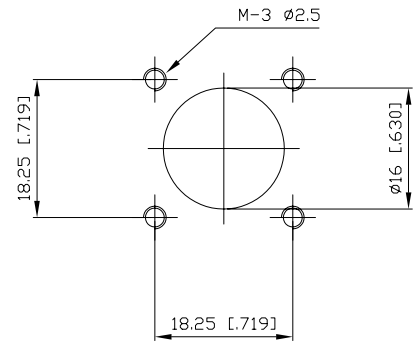
**Conectores panel con
contacto central soldable**

macho panel
(pletina cuadrada)



*Receptacle connectors with
solder inner contact*

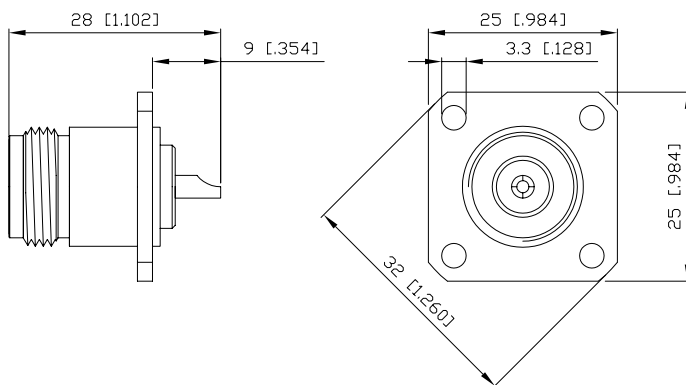
*plug receptacle
(square flange)*



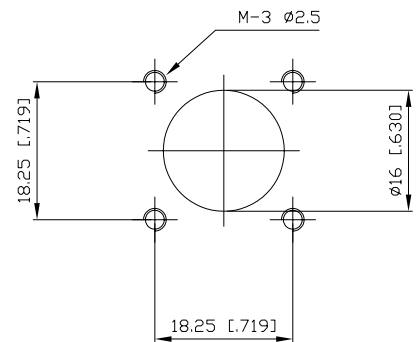
NOTE NOTA	Ω	ALFA'R CODE CÓDIGO ALFA'R	SOLDER TAG TERMINAL MASA
front mounting montaje frontal	50	A-N-12TF-50	A-ACC-TM-030

front mounting montaje frontal	75	A-N-12TF-75	A-ACC-TM-030
-----------------------------------	----	-------------	--------------

hembra panel
(pletina cuadrada)



*jack receptacle
(square flange)*



NOTE NOTA	Ω	ALFA'R CODE CÓDIGO ALFA'R	SOLDER TAG TERMINAL MASA
front mounting montaje frontal	50	A-N-22TF-50	A-ACC-TM-030

front mounting montaje frontal	75	A-N-22TF-75	A-ACC-TM-030
-----------------------------------	----	-------------	--------------

hembra panel

bulkhead jack receptacle

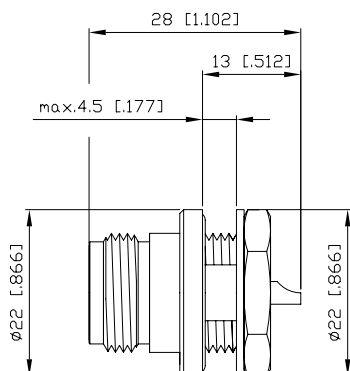


fig. 1

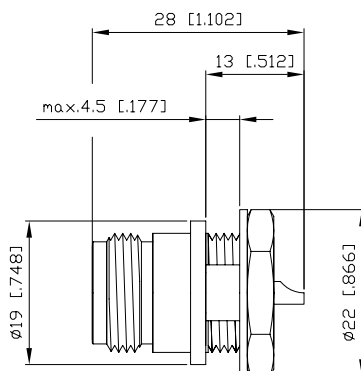


fig. 2

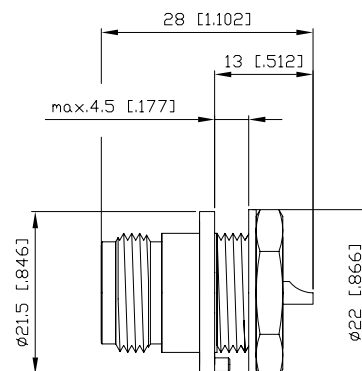


fig. 3

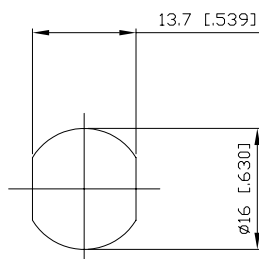


fig. A

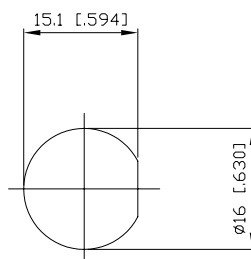


fig. B

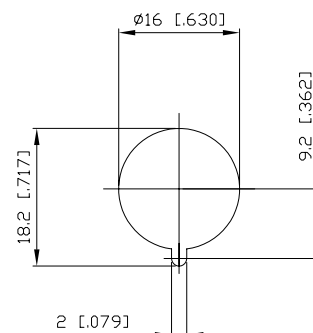
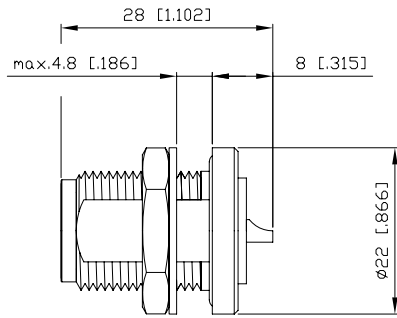


fig. C

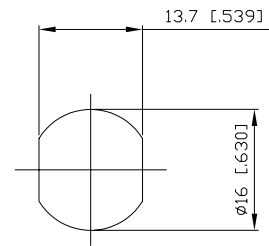
NOTE NOTA	Ω	ALFA'R CODE CÓDIGO ALFA'R	FIG. FIG.	SOLDER TAG TERMINAL MASA
water estanco	50	A-N-25TF-50-C	1 A	A-ACC-TM-160
non-moving 2 planes 2 planos antiguo		A-N-25TF-50	2 B	
non-moving plane plano antiguo		A-N-25TF-50-F	3 C	
non-moving pivot pivote antiguo				

water estanco	75	A-N-25TF-75-C	1 A	A-ACC-TM-160
non-moving 2 planes 2 planos antiguo		A-N-25TF-75	2 B	
non-moving plane plano antiguo		A-N-25TF-75-F	3 C	
non-moving pivot pivote antiguo				

hembra panel



bulkhead jack receptacle



<i>NOTE</i> NOTA	Ω	<i>ALFA'R CODE</i> CÓDIGO ALFA'R	
<i>waterproof</i> estanco	50	A-N-26TF-50	

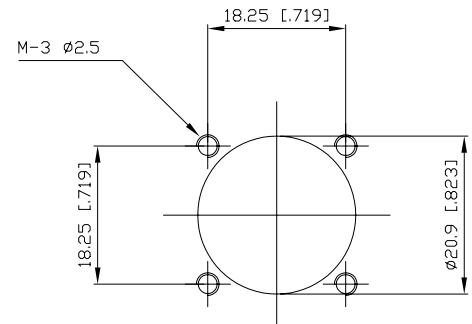
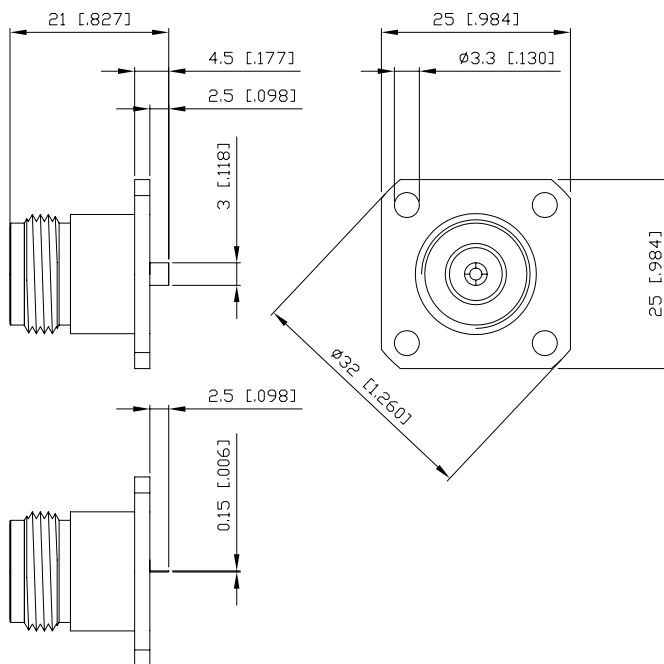
<i>waterproof</i> estanco	75	A-N-26TF-75	
------------------------------	----	-------------	--

Contacto central plano

Tab contact Stripline

hembra panel

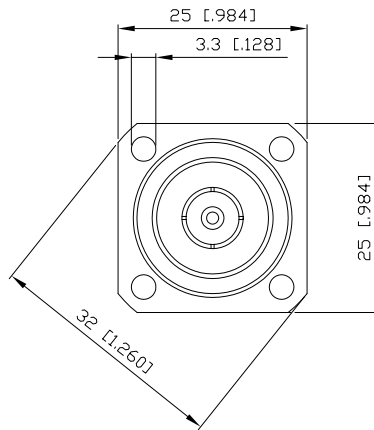
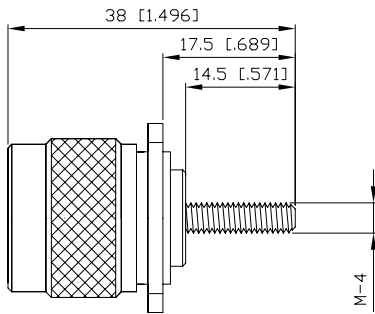
jack receptacle



<i>NOTE</i> NOTA	Ω	<i>ALFA'R CODE</i> CÓDIGO ALFA'R	
<i>square flange</i> pletina cuadrada	50	A-N-22TP-50	

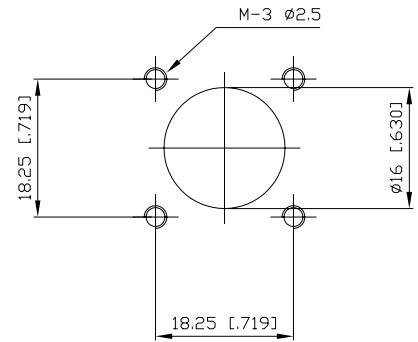
Conectores panel con contacto central rosca M-4

macho panel
(pletina cuadrada)



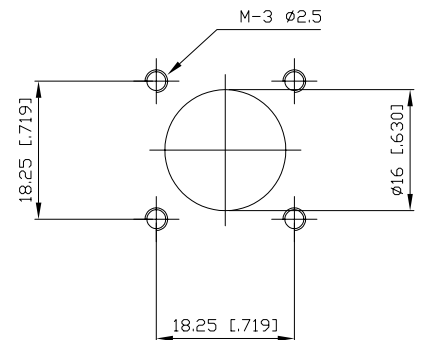
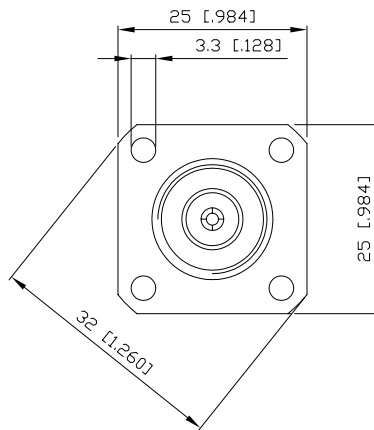
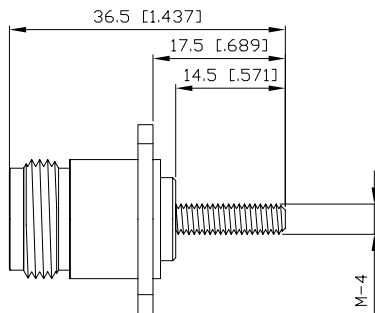
Receptacle connectors with thread M-4 inner contact

*plug receptacle
(square flange)*



<i>NOTE</i> NOTA	Ω	ALFA'R CODE CÓDIGO ALFA'R	SOLDER TAG TERMINAL MASA
<i>front mounting</i> montaje frontal	50	A-N-12TR-50	A-ACC-TM-030

hembra panel
(pletina cuadrada)



*jack receptacle
square flange*

<i>NOTE</i> NOTA	Ω	ALFA'R CODE CÓDIGO ALFA'R	SOLDER TAG TERMINAL MASA
<i>front mounting</i> montaje frontal	50	A-N-22TR-50	A-ACC-TM-030

hembra panel

bulkhead jack receptacle

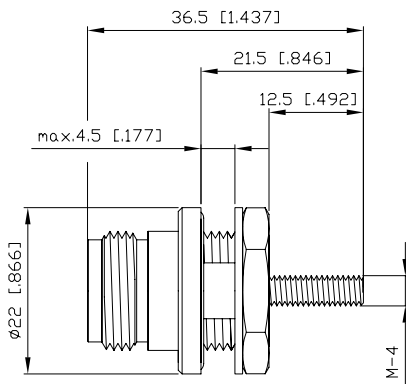


fig. 1

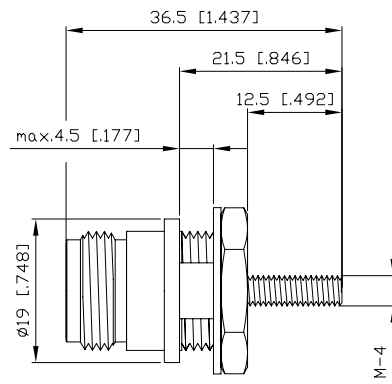


fig. 2

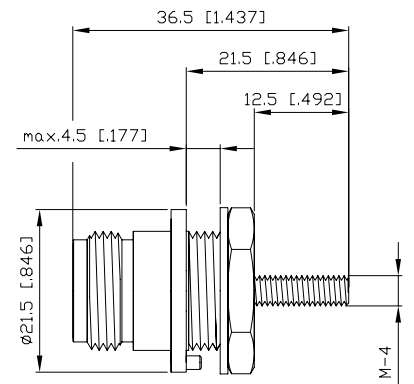


fig. 3

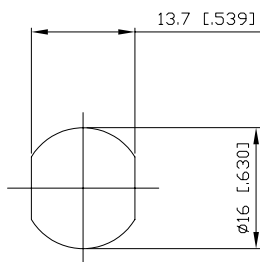


fig. A

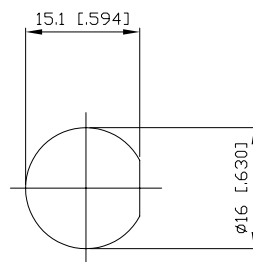


fig. B

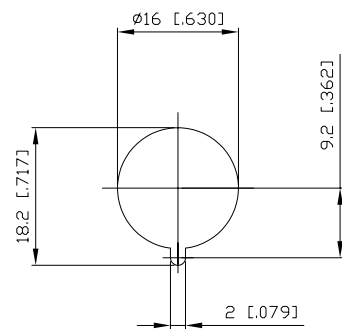


fig. C

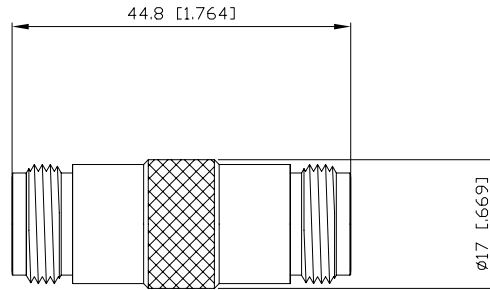
NOTE NOTA	Ω	ALFA'R CODE CÓDIGO ALFA'R	FIG. FIG.	SOLDER TAG TERMINAL MASA
waterproof estanco	50	A-N-25TR-50-C	1 A	A-ACC-TM-160
non-moving 2 planes 2 planos antigiro		A-N-25TR-50	2 B	
non-moving plane plano antigiro		A-N-25TR-50-F	3 C	
non-moving pivot pivote antigiro				

Adaptadores

prolongación

Adapters

prolongation

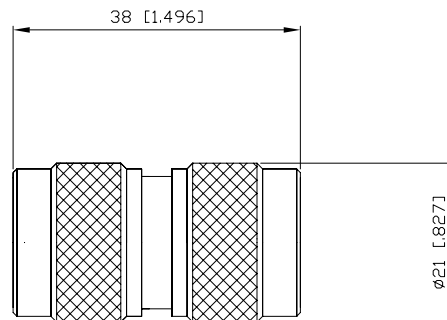


<i>NOTE</i> NOTA	Ω	<i>ALFA'R CODE</i> CÓDIGO ALFA'R	
<i>jack-jack</i> hembra-hembra	50	A-N-00-50	

<i>jack-jack</i> hembra-hembra	75	A-N-00-75	
-----------------------------------	----	-----------	--

prolongación

prolongation



<i>NOTE</i> NOTA	Ω	<i>ALFA'R CODE</i> CÓDIGO ALFA'R	
<i>plug-plug</i> macho-macho	50	A-N-03-50	

<i>plug-plug</i> macho-macho	75	A-N-03-75	
---------------------------------	----	-----------	--

pasamuros hembra-hembra

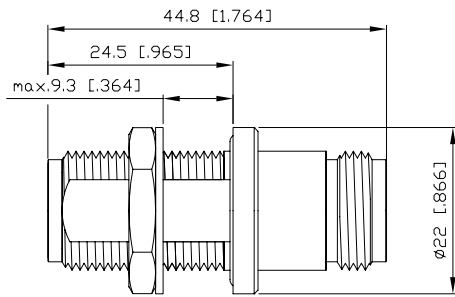


fig.1

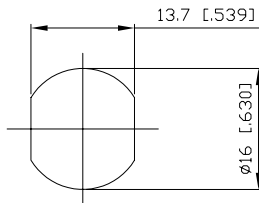


fig.A

jack-jack panel adaptor

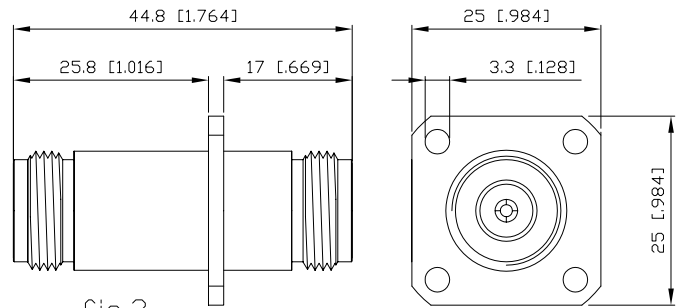


fig.2

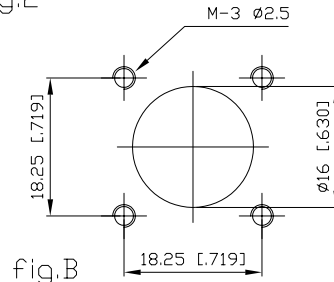


fig.B

NOTE		Ω	ALFA'R CODE CÓDIGO ALFA'R	FIG. FIG.
waterproof bulkhead	estanco	50	A-N-02-50	1 A
square flange	pletina cuadrada		A-N-04-50	2 B

waterproof bulkhead	estanco	75	A-N-02-75	1 A
square flange	pletina cuadrada		A-N-04-75	2 B

adaptador en T

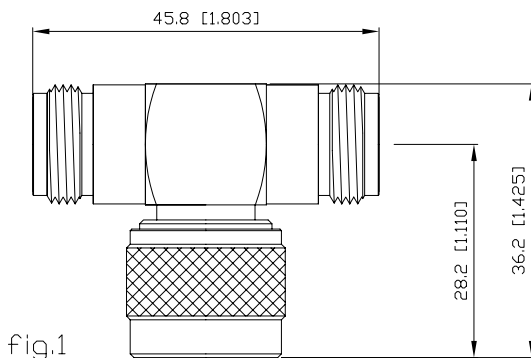


fig.1

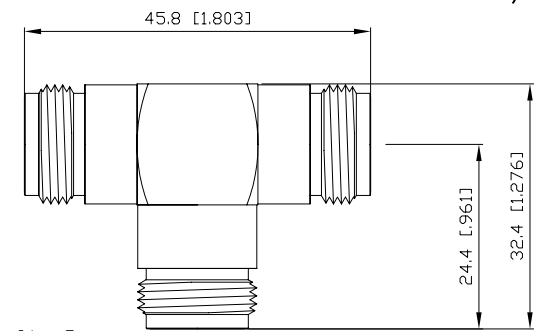


fig.2

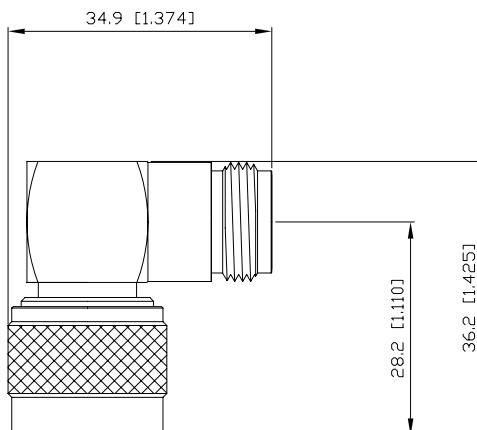
T adaptor

NOTE		Ω	ALFA'R CODE CÓDIGO ALFA'R	FIG. FIG.
jack-plug-jack	hembra-macho-hembra	50	A-N-40-50	1
jack-jack-jack	hembra-hembra-hembra		A-N-44-50	2

jack-plug-jack	hembra-macho-hembra	75	A-N-40-75	1
jack-jack-jack	hembra-hembra-hembra		A-N-44-75	2

adaptador a 90°

90° adaptor



NOTE NOTA	Ω	ALFA'R CODE CÓDIGO ALFA'R	
plug-jack macho-hembra	50	A-N-31-50	

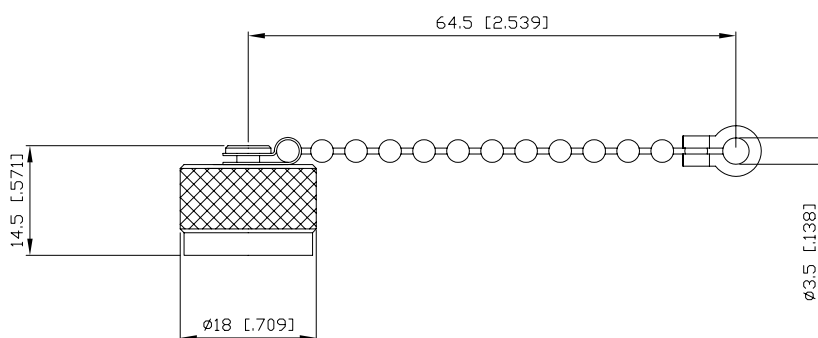
plug-jack macho-hembra	75	A-N-31-75	
---------------------------	----	-----------	--

Protectores

Protectives

tapón para hembra

cap for jack



NOTE NOTA	Ω	ALFA'R CODE CÓDIGO ALFA'R	
protective cap tapón protector		A-N-51-00-A	
protective cap tapón protector		A-N-51-00	
short circuit cap tapón corto circuito	50	A-N-53-50-A	
short circuit cap tapón corto circuito	75	A-N-53-75-A	
short circuit cap tapón corto circuito	50	A-N-53-50	
short circuit cap tapón corto circuito	75	A-N-53-75	

Terminaciones

Terminations

rango de frecuencia: 1000 MHz
potencia: 0.5W

frequency range: 1000 MHz
power: 0.5W

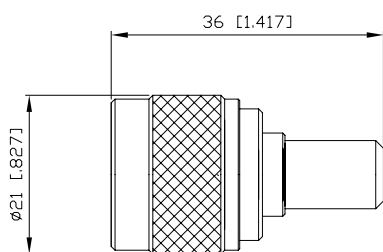


fig. 1

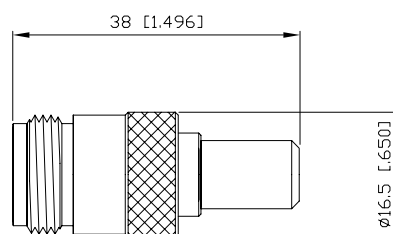


fig. 2

NOTE NOTA	FIG. FIG.	POWER POTENCIA	IMPEDANCE IMPEDANCIA	ALFA'R CODE CÓDIGO ALFA'R	VSWR	
					300MHz	1000MHz
plug macho	1	0.5 W	50Ω ±1Ω	A-N-54-50	≤1.05	≤1.1
			75Ω ±1Ω	A-N-54-75		
jack hembra	2		50Ω ±1Ω	A-N-55-50		
			75Ω ±1Ω	A-N-55-75		

rango de frecuencia: 4GHz
potencia: 1W, 5W, 10W

frequency range: 4GHz
power: 1W, 5W, 10W

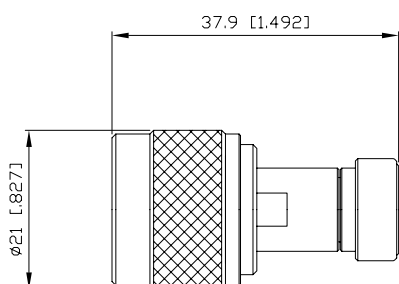


fig. 1

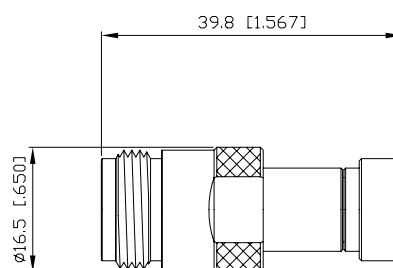


fig. 2

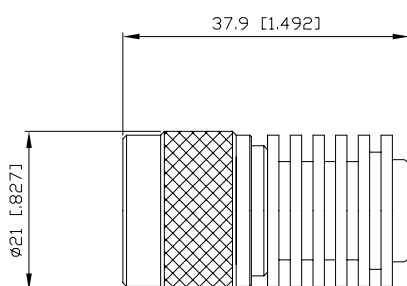


fig. 3

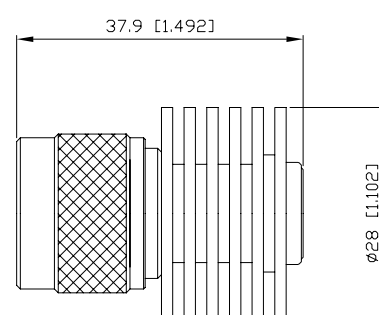


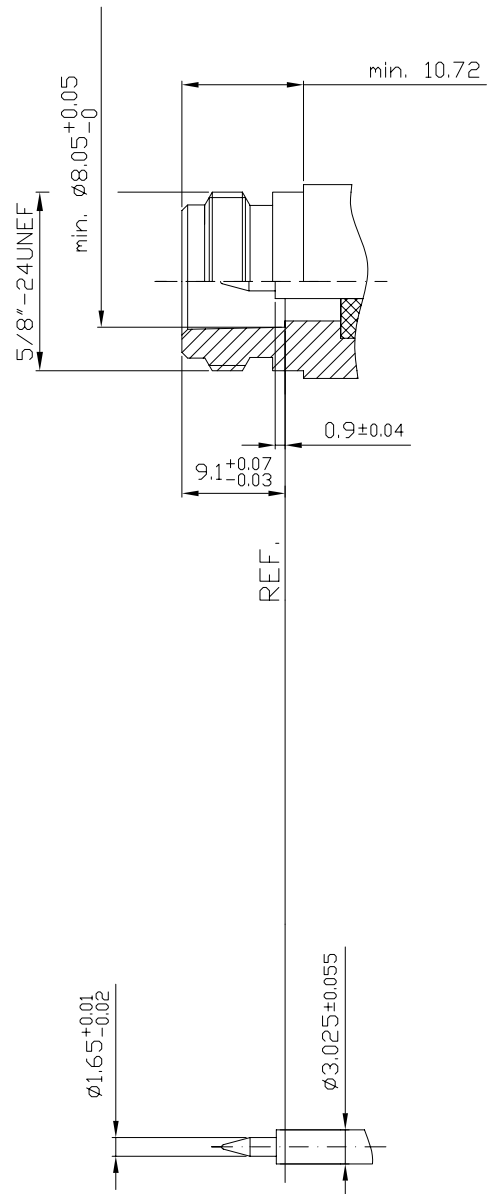
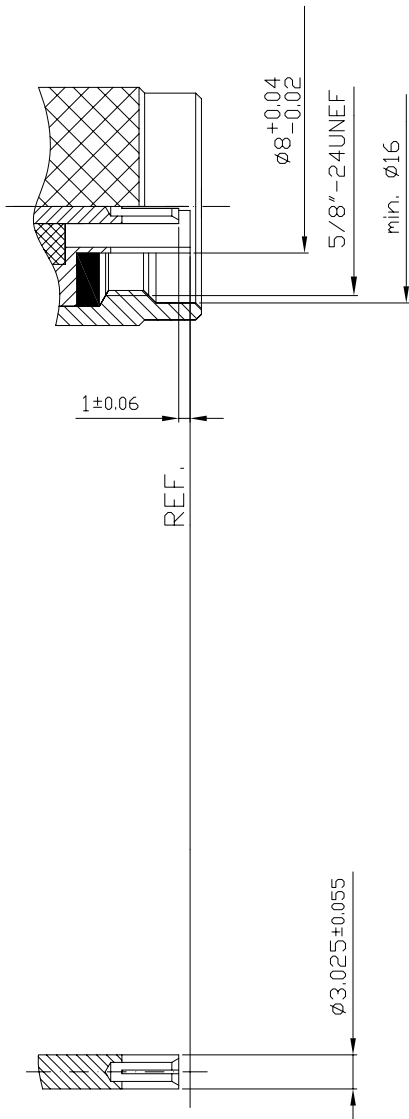
fig. 4

NOTE NOTA	FIG. FIG.	POWER POTENCIA	IMPEDANCE IMPEDANCIA	ALFA'R CODE CÓDIGO ALFA'R	VSWR	
					2.5 GHz	4 GHz
plug macho	1	1 W	50Ω ±1Ω	A-N-54-50-A	≤1.15	≤1.20
jack hembra	2			A-N-55-50-A		
plug macho	3	5 W		A-N-54-50-B	≤1.19	
	4	10 W		A-N-54-50-C	≤1.15 max.	--

**DIMENSIONES INTERCONEXIÓN
CONTACTO CENTRAL INVERTIDO**

***INTERFACE DIMENSIONS
REVERSE INNER CONTACT***

50 Ω



Conectores para cable flexible

Connectors for flexible cable

POLARIDAD INVERTIDA
macho recto crimp

REVERSE POLARITY
straight crimp type plug

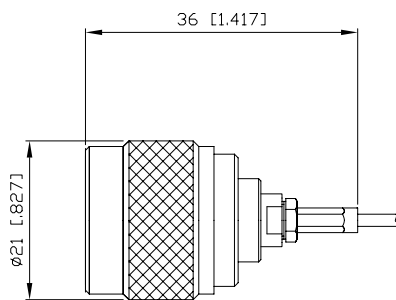


fig.1

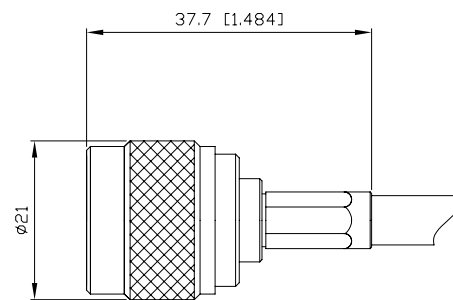


fig.2

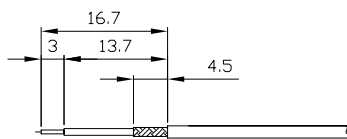


fig.A

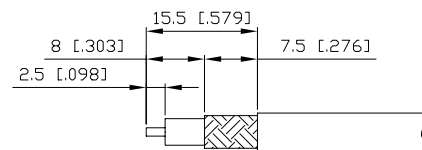
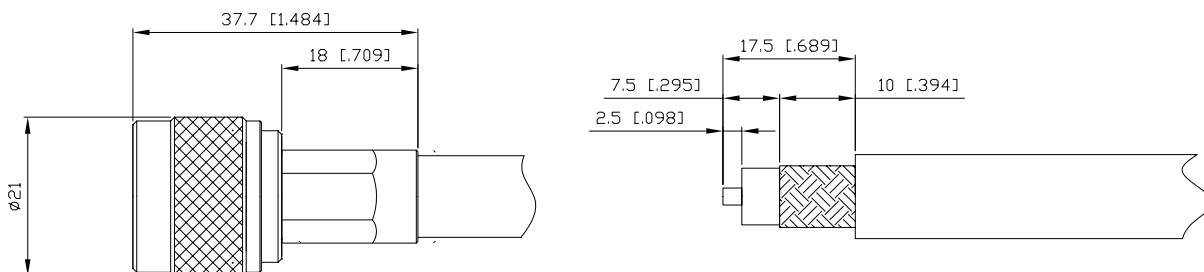


fig.B

CABLE CABLE	INSTRUC. INSTRUC.	Ω	ALFA'R CODE CÓDIGO ALFA'R	FIG. FIG.	CRIMPING TOOL HERRAMIENTA CRIMP
RG-178; RG-196	INS 8	50	A-NI-20C18-50	1	A
RG-316			A-NI-20C25A-50		
RG-174; RG-188			A-NI-20C26-50		
RG-58; RG-141; RG-303	INS 9		A-NI-20C50-50	2	B
RG-142; RG-400			A-NI-20C50A-50		
RG-223			A-NI-20C54-50		
S 04272 B			A-NI-20C55-50		
LMR-240			A-NI-20C61D-50		

POLARIDAD INVERTIDA
macho crimp recto

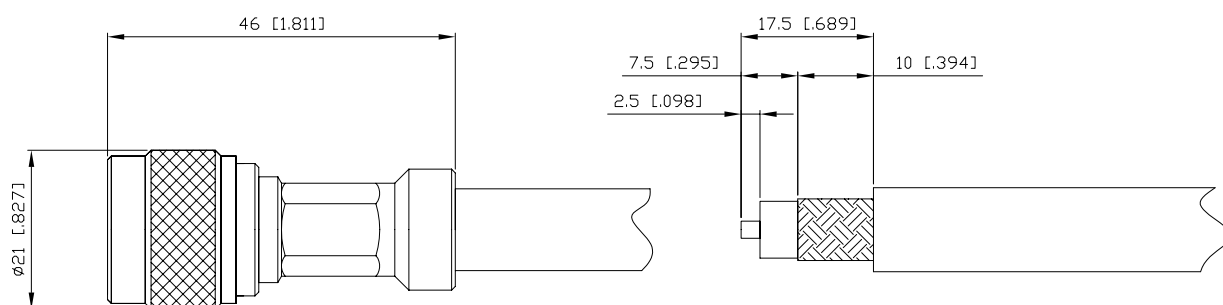
*REVERSE POLARITY
straight crimp type plug*



CABLE CABLE	INSTRUC. INSTRUC.	Ω	ALFA'R CODE CÓDIGO ALFA'R	CRIMPING TOOL HERRAMIENTA CRIMP
RG-393	INS 9	50	A-NI-20C99-50	A-EIN-C-2-D2
ECO FLEX-10			A-NI-20C100-50	
RG-8			A-NI-20C101-50	
RG-213			A-NI-20C103-50	
LMR-400; RG-165			A-NI-20C103D-50	
RG-214			A-NI-20C108-50	
RG-225			A-NI-20C109-50	

POLARIDAD INVERTIDA
macho crimp recto
estanco

*REVERSE POLARITY
straight crimp type plug
waterproof*



CABLE CABLE	INSTRUC. INSTRUC.	Ω	ALFA'R CODE CÓDIGO ALFA'R	CRIMPING TOOL HERRAMIENTA CRIMP
RG-214	INS 35	50	A-NI-20C108-50-A	A-EIN-C-2-D2

POLARIDAD INVERTIDA
hembra recta crimp

REVERSE POLARITY
straight crimp type jack

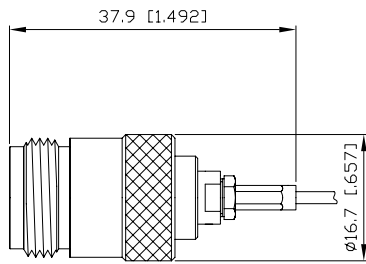


fig.1

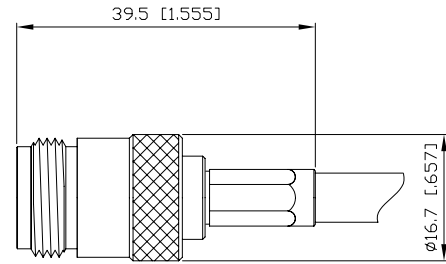


fig.2

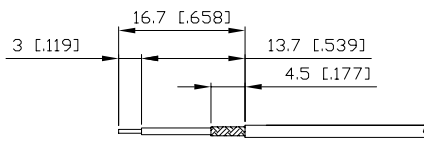


fig.A

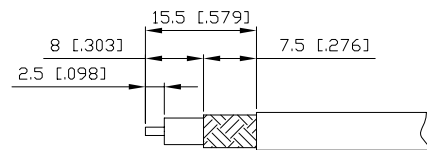
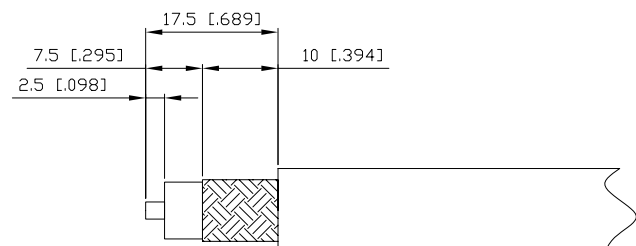
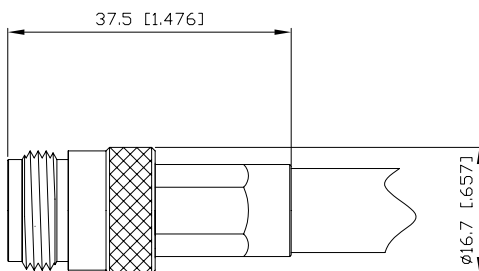


fig.B

CABLE CABLE	INSTRUC. INSTRUC.	Ω	ALFA'R CODE CODIGO ALFA'R	FIG. FIG.	CRIMPING TOOL HERRAMIENTA CRIMP
RG-178; RG-196	INS 8	50	A-NI-10C18-50	1	A
RG-316			A-NI-10C25A-50		
RG-174; RG-188			A-NI-10C26-50		
RG-58; RG-141; RG-303	INS 9	50	A-NI-10C50-50	2	B
RG-142; RG-400			A-NI-10C50A-50		
RG-223			A-NI-10C54-50		
S04272-B			A-NI-10C55-50		
LMR-240			A-NI-10C61D-50		

POLARIDAD INVERTIDA
hembra recta crimp

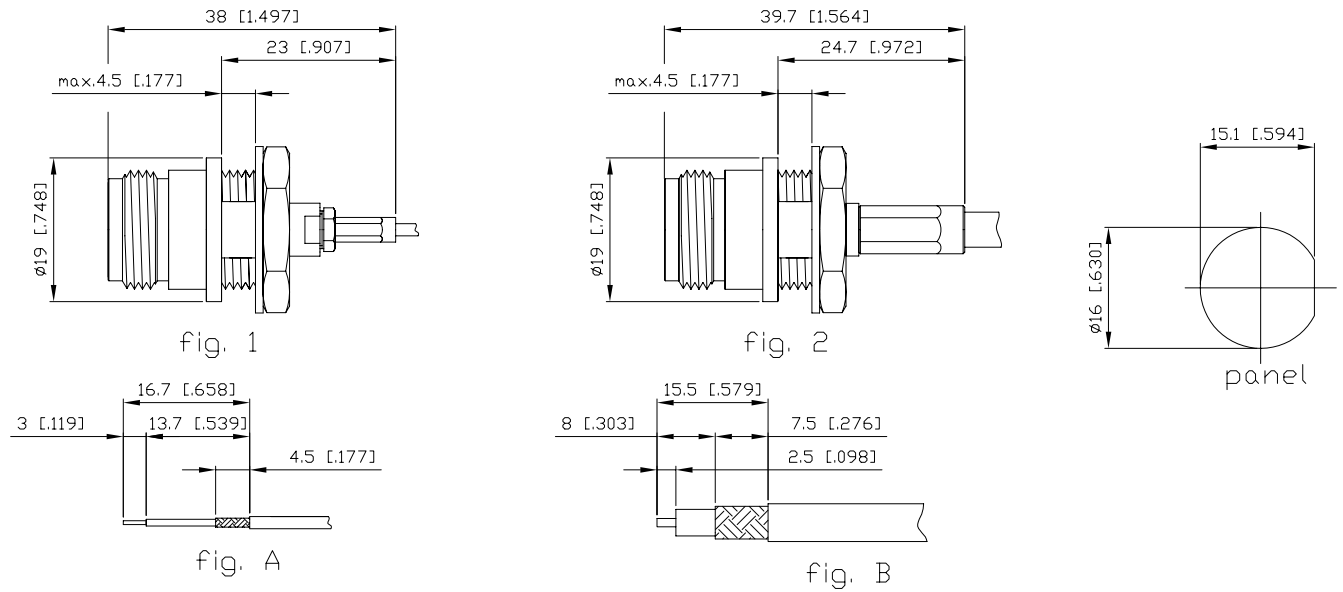
REVERSE POLARITY
straight crimp type jack



CABLE CABLE	INSTRUC. INSTRUC.	Ω	ALFA'R CODE CODIGO ALFA'R	CRIMPING TOOL HERRAMIENTA CRIMP
RG-393	INS 9	50	A-NI-10C99-50	A-EIN-C-2-D2
ECO FLEX-10			A-NI-10C100-50	
RG-8			A-NI-10C101-50	
RG-213			A-NI-10C103-50	
LMR-400; RG-165			A-NI-10C103D-50	
RG-214			A-NI-10C108-50	
RG-225			A-NI-10C109-50	

POLARIDAD INVERTIDA
hembra recta panel crimp
(montaje frontal)

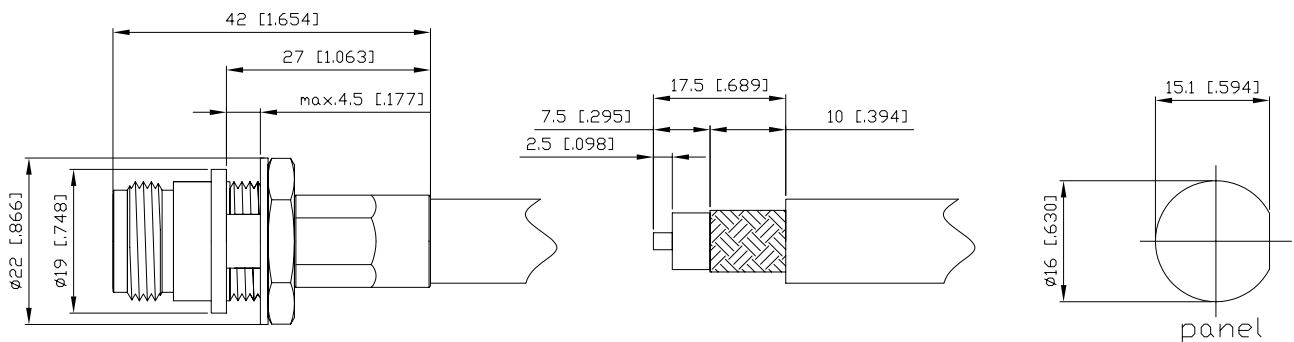
REVERSE POLARITY
straight crimp type jack panel
(front mounting bulkhead)



CABLE CABLE	INSTRUC. INSTRUC.	Ω	ALFA'R CODE CÓDIGO ALFA'R	FIG. FIG.	CRIMPING TOOL HERRAMIENTA CRIMP
RG-178; RG-196	INS 8	50	A-NI-15C18-50	1 A	A-EIN-C-1-C62
RG-316			A-NI-15C25A-50		A-EIN-C-1-642
RG-174; RG-188			A-NI-15C26-50		
RG-58; RG-141; RG-303	INS 9	50	A-NI-15C50-50	2 B	A-EIN-C-1-342
RG-142; RG-400			A-NI-15C50A-50		
RG-223			A-NI-15C54-50		
S 04272 B			A-NI-15C55-50		
LMR-240			A-NI-15C61D-50		

POLARIDAD INVERTIDA
hembra recta panel crimp
(montaje frontal)

REVERSE POLARITY
straight crimp type jack panel
(front mounting bulkhead)



CABLE CABLE	INSTRUC. INSTRUC.	Ω	ALFA'R CODE CÓDIGO ALFA'R	CRIMPING TOOL HERRAMIENTA CRIMP
RG-393	INS 9	50	A-NI-15C99-50	A-EIN-C-2-D2
ECO FLEX-10			A-NI-15C100-50	
RG-8			A-NI-15C101-50	
RG-213			A-NI-15C103-50	
LMR-400; RG-165			A-NI-15C103D-50	
RG-214			A-NI-15C108-50	
RG-225			A-NI-15C109-50	